



BelAire slats between BelAire Signature posts.

BelAire®
DESIGNER FENCING

...make it your own!

Aluminium Fencing & Screen Systems

COST-EFFECTIVE

BelAire slat and louvre fencing is a great cost-effective option where a degree of privacy and security is required.

BUILT TO LAST

Our powder-coated aluminium posts, channels and slats are very light, structurally very strong, and are supplied to you in a colour (or combination of colours) of your choice.

It is important to note that our fencing, with 25mm wide slats, is superior in strength to some inferior fencing with 16mm wide slats.

EASY INSTALLATION

Our slat and oblique fencing is designed to be assembled with ease. The Aluminium fencing and screen systems use either inground or flanged posts. BelAire slat fencing panels can be easily handled by two people, making them perfect for difficult-to-access areas such as back yards or annexed ground.

We provide step by step self-install instructions that any competent DIY person should be able to follow, but if you'd rather get someone else to install it, we have a list of preferred installers throughout NZ. Call us on 0800 235 2473 and we will put you in touch with an installer in your area.

WARRANTY

New Zealand-made and 10-year warranty information. Be assured that with very little maintenance your fence will give you great privacy and security for many years to come. Only the finest raw materials have been used in the construction of your fence. The suppliers of these raw materials state that they have a design life well in excess of 20 years. With this assurance we offer you a replacement warranty for any component of your new fencing if it fails within 10 years* from date of purchase.



*2yr Warranty within a 1500m sea spray zone.



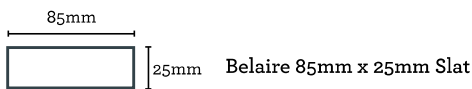
Why Choose BelAire Slat Fencing?

KEY FEATURES

See below our strength test of the BelAire 85 x 25 mm slat. What super strength was proven in this test when we loaded 69.3kgs onto the 85 x 25mm slat spanning 2400mm. The 65 x 16mm slat took a mere 30kgs before it crumpled to the ground. As you can see in the images below, the BelAire slat had a bow that was comparable to that of the 65mm slat even though the 16mm slat was only carrying 25.2kg.

- No Twisting, warping, rotting
- Looks the same as the day it was installed for many years
- Already finished to a colour of your choice
- Simple install
- Customizable and versatile to suit any landscape
- Horizontal or vertical options
- Lightweight but very durable
- Low maintenance
- Modern sleek look
- Adjustable gaps to suit your privacy needs
- Hidden fixings

BELAIRE SLAT vs TRADITIONAL 65 X 16MM SLAT



HORIZONTAL SLAT FENCING

BelAire slat fencing is fully customisable.

Post dimensions: 60 x 60 x 2mm or 90 x 90 x 3mm BMT

Slat profiles: 85mm x 25mm or 60mm x 25mm

Suitable for fence heights: 900mm - 2400mm

Post centres: 2410mm, 2710mm, 3010mm

*Based on 60mm x 60mm posts

POWDER-COAT COLOURS



..... **STANDARD COLOUR RANGE FOR 85mm SLATS**
(BEST PRICES)

You can choose the same colour for your posts, channels and slats, or any combination you wish!

We can also powdercoat the slats to any of the colours in the Dulux powdercoating chart, found at: www.duluxpowdercoatings.co.nz

SLATS

Slat construction:

85 x 25mm (standard stocked size in 7 colours above)

60 x 25mm (standard stocked in ebony only)

1.6mm powder-coated aluminium

It is important to note that our fencing, with 25mm wide slats, is superior in strength to some inferior fencing with 16mm wide slats.

Available in two heights - 85mm is our standard stocked size, and 60mm slats are available on request. The two types of slats can be used exclusively, or combined in any way you choose. Both can also be used either horizontally or vertically.

2330mm (length) x 85mm (height) x 25mm (width)

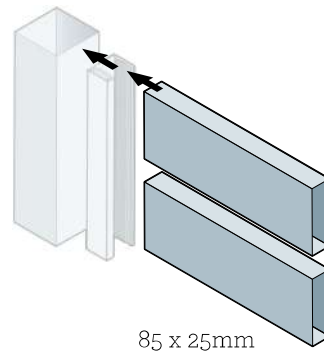
2630mm (length) x 85mm (height) x 25mm (width)

2930mm (length) x 85mm (height) x 25mm (width)

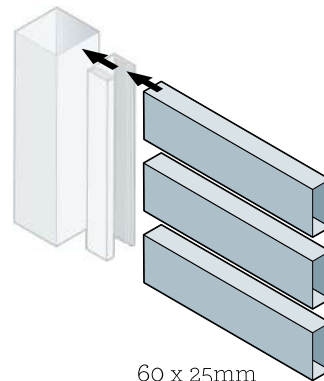
2330mm (length) x 60mm (height) x 25mm (width)

2630mm (length) x 60mm (height) x 25mm (width)

2930mm (length) x 60mm (height) x 25mm (width)



85 x 25mm



60 x 25mm

(only available in ebony)

Refer to www.belairfencing.co.nz/aluminium-slat-fencing/ for Slat testing examples

Horizontal Slat Panel 15

Code: BSHXXXX



Post Centres:

1545mm, 2410mm, 2710mm, 3010mm

Fence Panel Heights:

1200, 1500, 1800, 2000mm

Slats:

85mm x 25mm

Slat Gaps

15mm

Horizontal Slat Panel 27

Code: BSHOXXXX



Post Centres:

1545mm, 2410mm, 2710mm, 3010mm

Fence Panel Heights:

1210, 1430, 1760, 1980mm

Slats:

85mm x 25mm

Slat Gaps

27mm

Horizontal Slat Panel Mixed

Code: BSHMXXXX



Post Centres:

2410mm, 2710mm, 3010mm

Fence Panel Heights:

1200, 1500, 1800, 2000mm

Slats:

Mix of 85 x 25mm & 60 x 25mm

Slat Gaps

15mm

Horizontal Slat Panel Solid/Open

Code: BSHS15XXXX



Post Centres:

2410mm, 2710mm, 3010mm

Fence Panel Heights:

1195, 1450, 1790, 1960mm

Slats:

85mm x 25mm

Slat Gaps

15mm (Top Slats only)

Horizontal Slat Panel Solid

Code: BSHSXXXX



Post Centres:

2410mm, 2710mm, 3010mm

Fence Panel Heights:

1190, 1445, 1785, 1955mm

Slats:

85mm x 25mm

Slat Gaps

0mm

*Measurements based on 60mm x 60mm posts

VERTICAL SLAT FENCING

BelAire slat fencing is fully customisable.

Post dimensions: 60 x 60 x 2mm or 90 x 90, 3mm BMT

Slat Profiles: 85mm x 25mm or 60mm x 25mm

Suitable for fence heights: 900mm - 2400mm

Post centres: 2410mm, 2710mm, 3010mm

*Based on 60mm x 60mm posts

POWDER-COAT COLOURS



Titania

Gull Grey

Slate Grey

Grey Friars

Ironsand

Flax

Ebony

STANDARD COLOUR RANGE FOR 85mm SLATS (BEST PRICES)

You can choose the same colour for your posts, channels and slats, or any combination you wish!

We can also powdercoat the slats to any of the colours in the Dulux powdercoating chart, found at: www.duluxpowdercoatings.co.nz

SLATS

Slat construction:

85 x 25mm (standard stocked size)

60 x 25mm (available on request)

It is important to note that our fencing, with 25mm wide slats, is superior in strength to some inferior fencing with 16mm wide slats.

Available in two heights - 85mm is our standard stocked size, and 60mm slats are available on request. The two types of slats can be used exclusively, or combined in any way you choose. Both can also be used either horizontally or vertically.

2330mm (length) x 85mm (height) x 25mm (width)

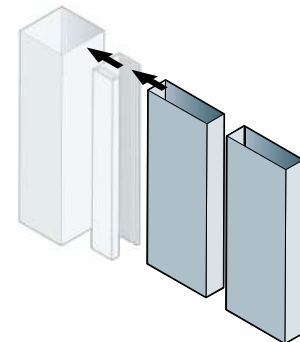
2630mm (length) x 85mm (height) x 25mm (width)

2930mm (length) x 85mm (height) x 25mm (width)

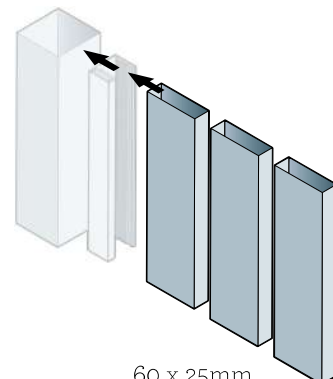
2330mm (length) x 60mm (height) x 25mm (width)

2630mm (length) x 60mm (height) x 25mm (width)

2930mm (length) x 60mm (height) x 25mm (width)



85 x 25mm



60 x 25mm

Refer to www.belairefencing.co.nz/aluminium-slat-fencing/ for Slat testing examples

Vertical Slat Panel 15

Code: BSVXXXX



Post Centres:

1860mm, 2160mm, 2410mm,
2710mm, 3010mm

Fence Panel Heights:

1200, 1500, 1800, 2000mm

Slats:

85mm x 25mm

Slat Gaps

15mm

Vertical Slat Panel 39

Code: BSV0XXXX



Post Centres:

2410mm, 2710mm, 3010mm

Fence Panel Heights:

1200, 1500, 1800, 2000mm

Slats:

85mm x 25mm

Slat Gaps

39mm

Vertical Slat Panel Mixed

Code: BSMXXXX



Post Centres:

2410mm, 2710mm, 3010mm

Fence Panel Heights:

1200, 1500, 1800, 2000mm

Slats:

Mix of 85 x 25mm & 60 x 25mm

Slat Gaps

15mm

Vertical Slat Panel Solid

Code: BSVSXXXX



Post Centres:

2380mm, 2720mm, 2970mm

Fence Panel Heights:

1200, 1500, 1800, 2000mm

Slats:

85mm x 25mm

Slat Gaps

0mm



*Measurements based on 60mm x 60mm posts

60X25MM HORIZONTAL & VERTICAL SLAT FENCING



Only available as standard in Ebony, powdercoated colour options are available on request

Ebony

60 x 25mm Horizontal Slat Panel Code: BSH60XXXX



Post Centres:

1545mm, 2410mm 2710mm, 3010mm

Fence Panel Heights:

1200, 1500, 1800, 2000mm

Slats:

60mm x 25mm

Slat Gaps

10mm

60 x 25mm Vertical Slat Panel Code: BSV60XXXX



Post Centres:

1860mm, 2160mm, 2410mm, 2710mm, 3010mm

Fence Panel Heights:

1200, 1500, 1800, 2000mm

Slats:

60mm x 25mm

Slat Gaps

25mm



SLAT FENCING COMPONENTS

IN-GROUND POSTS

Both slat and louvre fencing is supplied with 60mm x 60mm in-ground posts as standard.

The following posts are available as options:



60 x 60mm
in-ground post
Code: **IP6024XX**



90 x 90mm
in-ground post
Code: **IP9024XX**



20° - 72° degree
in-ground adjustable angle post
Code: **AIP6024**



FLANGED BASE POSTS

SCREWED



120 x 120mm
Screw on flanged base
(60 x 60mm post)
Code: **FP6020xx**



160 x 160mm
Screw on flanged base
(90 x 90mm post)
Code: **FP9020xx**

WELDED



120 x 120mm
welded flanged base
(60 x 60mm post)
Code: **FPPC6020**



160 x 160mm
welded flanged base
(90 x 90mm post)
Code: **FPPC9020**

ADJUSTABLE ANGLE FLANGED BASE POSTS



20° - 72° degree
flanged adjustable angle base
Code: **AFP6020**

*The angle you require for the adjustable flanged post will need to be specified when ordering.

SLAT FENCING COMPONENTS

POST CAPS

FLUSH CAP



Plastic Cap
(on 60 x 60mm post)
Code: **PC60PL**



Plastic Cap
(on 90 x 90mm post)
Code: **PC90PL**

EXSPOSED CAP



Exposed Cap
(on 60 x 60mm post)
Code: **PC60AL**



Exposed Cap
(on 90 x 90mm post)
Code: **PC90AL**

ADJUSTABLE ANGLE CAP



Adjustable angle cap
Fully closed (20°)



Adjustable angle cap
Fully open (72°)

Code: **ADJ PC60 A**

Code: **ADJ PC60 B**

SLAT FENCING CHANNEL



25mm Channel
Code: **BSLCH**



25mm Channel cover
Code: **BSLCHC**



46mm Channel
Code: **BOBCH**



46mm Channel cover
Code: **BOBCHC**

SLATS



60 x 25mm Slat
Code: **BSLXX60XX**



85 x 25mm Slat
Code: **BSLXX85XX**

FACE FIXED VERTICAL SLAT FENCING

Post dimensions: 60 x 60mm or 90 x 90mm, 2mm BMT

Slat Profile: 85mm x 25mm or 60mm x 25mm

Suitable for fence heights: 900 – 2400mm

Post centres: 1800mm



Commercial gas bottle storage area. – Grey Friars vertical face fixed slat option. 2000mm high with Flanged fixed 90x90mm posts.

LOUVRE FENCING

Louvre sizes:

2400mm (length) x 136mm (height) x 32mm (width)
to suit 2400mm panels

2700mm (length) x 136mm (height) x 32mm (width)
to suit 2700mm panels

3000mm (length) x 136mm (height) x 32mm (width)
to suit 3000mm panels

BelAire louvre fencing
is fully customisable.

You can choose the same colour for your posts, channels and slats, or any combination you wish!

We powdercoat the louvres to any of the colours in the Dulux powdercoating chart, found at:
www.duluxpowdercoatings.co.nz

LOUVRE FENCE PANELS

Louvre fence height options:

350mm (3 louvres), 600mm (5 louvres), 900mm (8 louvres)

1200mm (10 louvres), 1500mm (13 louvres), 1800mm (15 louvres)

Construction:

**135mm high aluminium aerofoil
louvre fence powder-coated to
your colour of choice.**

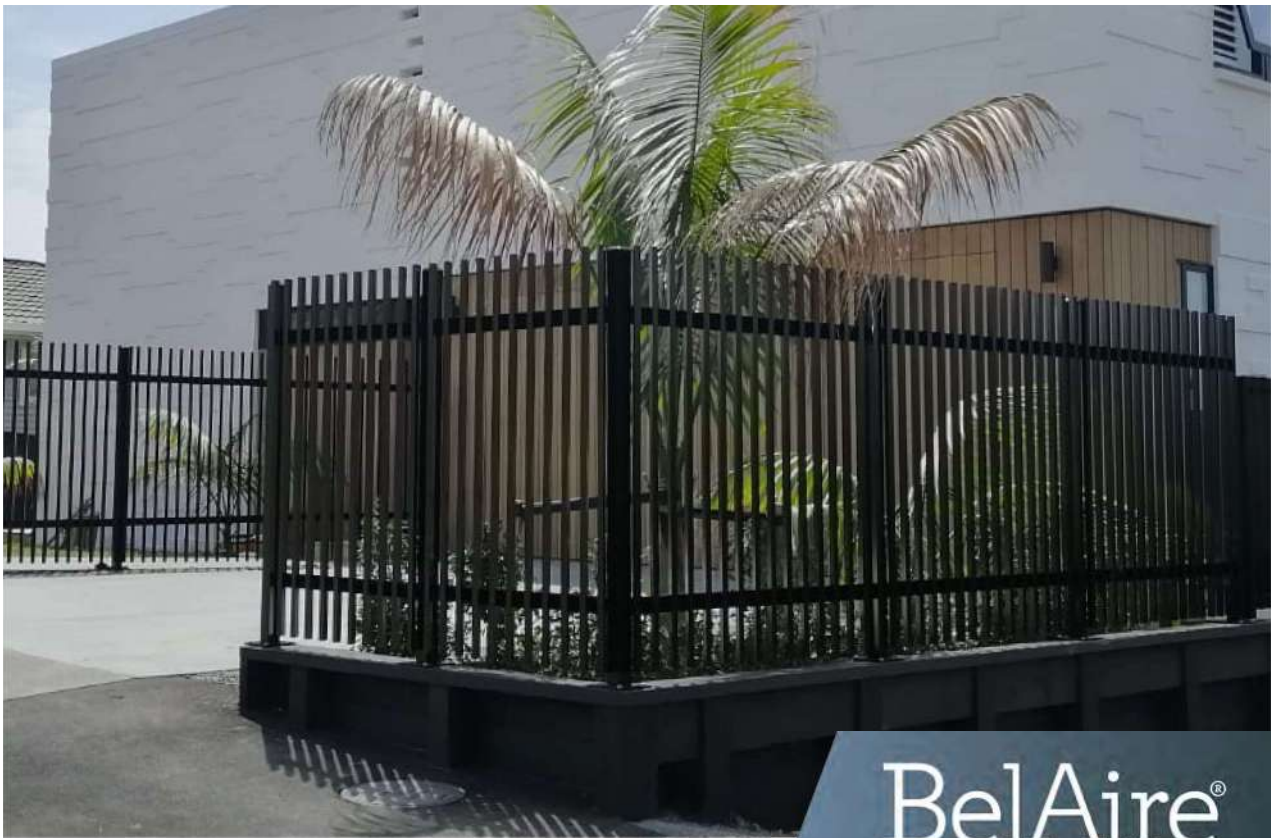




Oblique Fencing

BelAire®
DESIGNER FENCING

...make it your own!



BelAire®
DESIGNER FENCING

...make it your own!

Oblique Fencing

PRIVACY AND VERSATILITY

The beauty of BelAire oblique fencing lies in its ability to make your property completely private when viewed from one direction, whilst it allows you to see through it from another. Keep your kids safe in the garden, while keeping an eye on them from the house. It's so versatile - with three heights and four configuration options you'll have every angle covered. And it can run along sloped boundary lines and uneven ground. (Check with us to see which configurations will best suit your requirements.)

With stunning architectural impact, BelAire oblique fencing will enhance your property and safeguard your family.

BUILT TO LAST

The powder-coated aluminium posts, channels and slats are very light, structurally very strong, and are supplied to you in classic Kiwi Dulux Flaxpod. BelAire oblique fencing can also be supplied in any Dulux powdercoat colour (or combination of colours) of your choice at additional cost.

EASY INSTALLATION

BelAire oblique fencing is designed to be assembled with ease. The posts are simply concreted into post holes while the lightweight aluminium slats are perfect for difficult-to-access areas such as back yards or annexed ground.

We provide step by step self-install instructions that any competent DIY person should be able to follow, but if you'd rather get someone else to install it, we have a list of preferred installers throughout NZ. Call us on 0800 235 2473 and we will put you in touch with an installer in your area.

WARRANTY



Be assured that with very little maintenance your fence will give you great privacy and security for many years to come. Only the finest raw materials have been used in the construction of your fence. The suppliers of these raw materials state that they have a design life well in excess of 20 years. With this assurance we offer you a replacement warranty for any component of your new fencing if it fails within 10 years from date of purchase.

OBLIQUE FENCING

Post dimensions: 60mm (deep) x 60mm (face) 2 mm SHS

Oblique slat thickness: 25mm

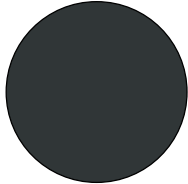
Fence heights: 1200mm , 1500mm, 1800mm

Post centres: 1860mm, 2410mm

BelAire oblique fencing is fully customisable.



POWDER-COAT COLOUR



Flax

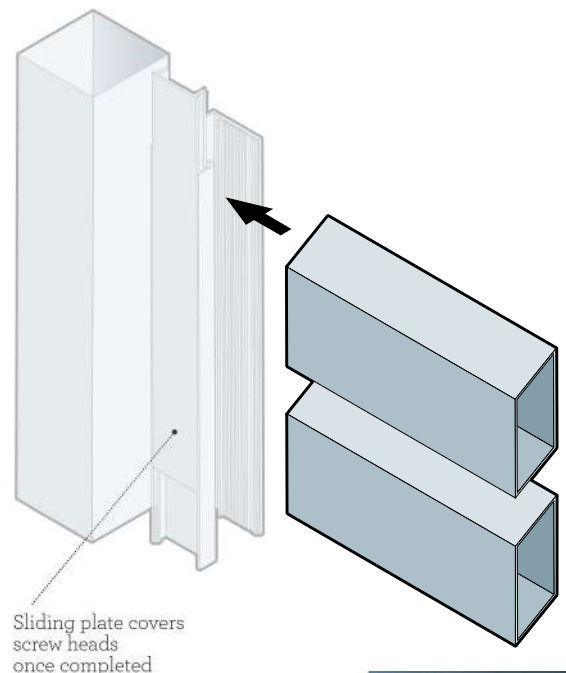
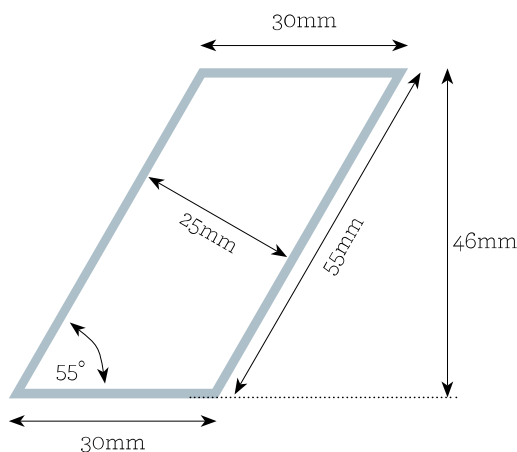
BelAire oblique fencing posts, channels and slats are supplied in powdercoated Dulux Flaxpod. They can also be supplied in any Dulux powdercoat colour of your choice at additional cost. The Dulux powdercoating chart can be found at: www.duluxpowdercoatings.co.nz

You can choose the same colour for your posts, channels and oblique slats, or any combination you wish!

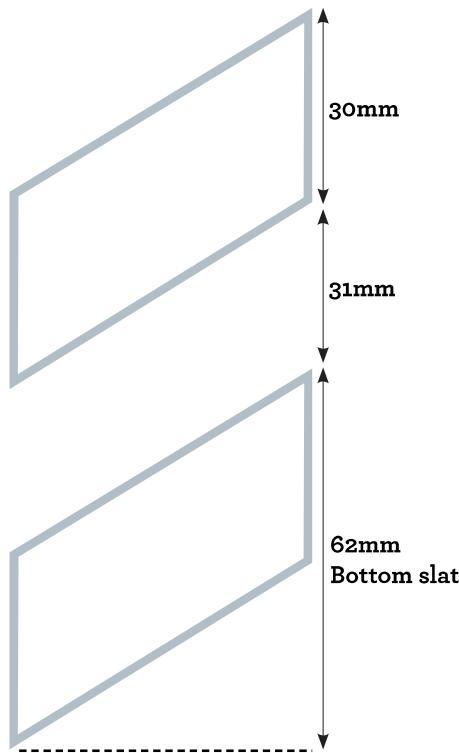
OBLIQUE SLATS

Oblique slat construction:

1.2mm powder-coated aluminium.

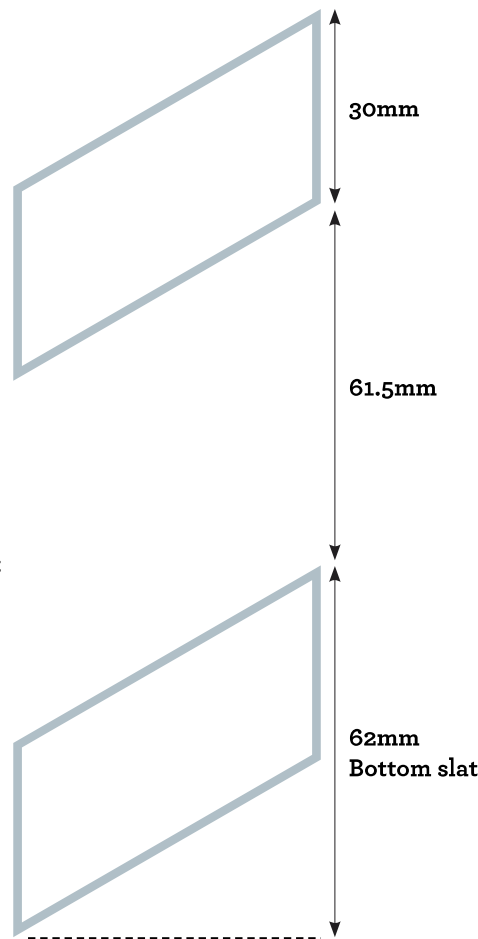
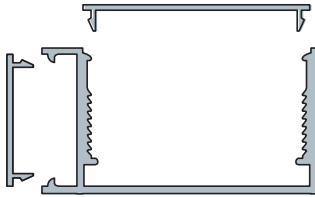


OBLIQUE SPACING



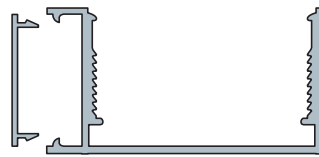
Oblique Channel & Double Cover per metre - Flax Colour
Used in face fix option

Code: **BOBCHPM-D**

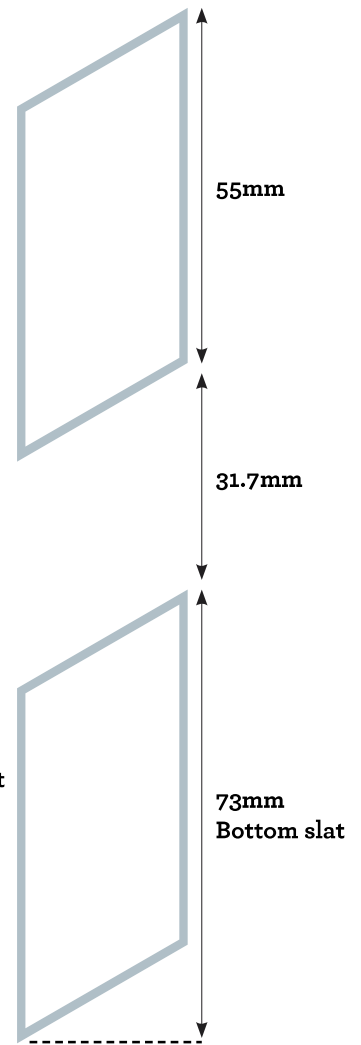


Oblique Channel & Single Cover per metre - Flax Colour

Code: **BOBCHPM-S**

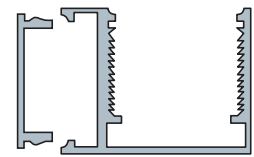


Channel Size:
60mm Wide x 32mm High



Slat Channel & Cover Metre Rate - Flax Colour

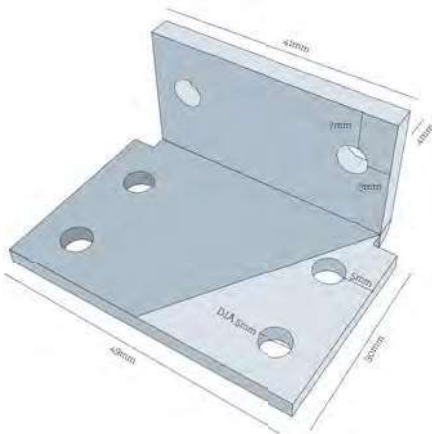
Code: **BSLCHPM-FX**



Channel Size:
39mm Wide x 32mm High

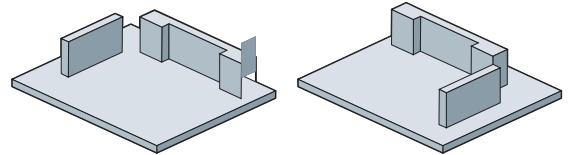
Oblique Bracket for Vertical mounted

Code: **BOBEB**



Oblique Black Channel Plastic End Cap
60x30 Left and Right

Code: **BOBCHECL**
Code: **BOBCHECR**



Oblique Black Slat Plastic End Caps Left and Right

Codes: **BOBSLECL BOBSLECR**

Black top and bottom caps are available to complete your face fixed fencing.

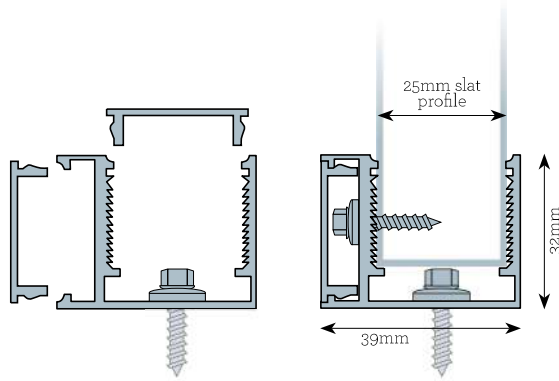


Oblique codes

1165mm length: **BOBSL1165**
1500mm length: **BOBSL15**
1800mm length: **BOBSL18**
2300mm length: **BOBSL23**

OBLIQUE FENCING CONFIGURATIONS

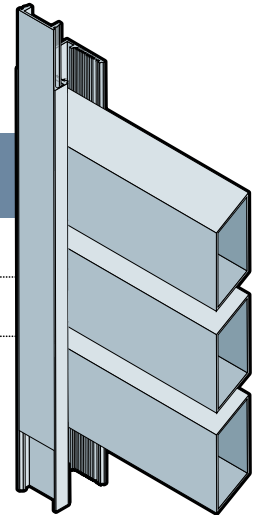
CHANNEL FIX / 25mm PROFILE



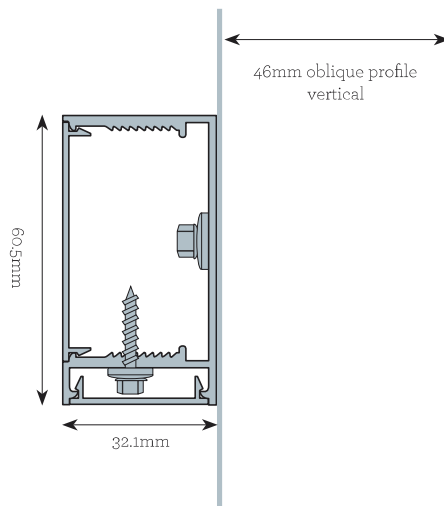
HORIZONTAL SLATS

55mm face + 31.7mm gap between slats (Allow 73mm for bottom slat)

BOP1224 H25	Height: 1200mm	Width: 2350mm	Slats: 14 @ 2330mm long
BOP1524 H25	Height: 1460mm	Width: 2350mm	Slats: 17 @ 2330mm long
BOP1824 H25	Height: 1720mm	Width: 2350mm	Slats: 20 @ 2330mm long



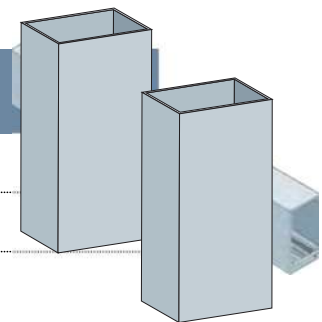
VERTICAL FACE FIX



VERTICAL SLATS - ANGLE MOUNTED

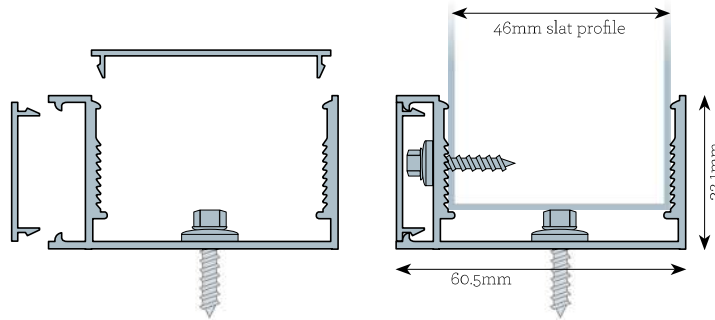
30mm face + 61.5mm gap between slats

BOP1218 V46 FF	Height: 1165mm	Width: 1800mm	Slats: 20 @ 1165mm long
BOP1518 V46 FF	Height: 1500mm	Width: 1800mm	Slats: 20 @ 1500mm long
BOP1818 V46 FF	Height: 1800mm	Width: 1800mm	Slats: 20 @ 1800mm long



OBLIQUE FENCING CONFIGURATIONS

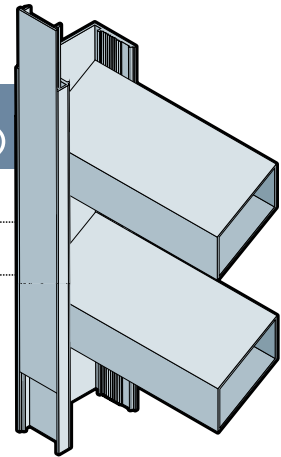
CHANNEL FIX / 46mm PROFILE



HORIZONTAL SLATS

30mm face + 61.5mm gap between slats (Allow 62mm for bottom slat)

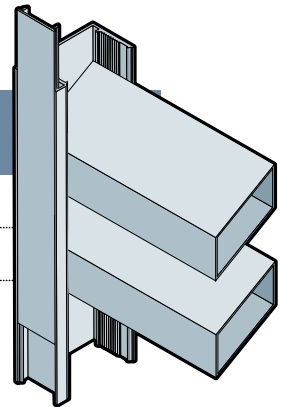
BOP1224 H46	Height: 1160mm	Width: 2350mm	Slats: 13 @ 2330mm long
BOP1524 H46	Height: 1526mm	Width: 2350mm	Slats: 17 @ 2330mm long
BOP1824 H46	Height: 1800mm	Width: 2350mm	Slats: 20 @ 2330mm long



HORIZONTAL SLATS - FULL PRIVACY

30mm face + 31mm gap between slats (Allow 62mm for bottom slat)

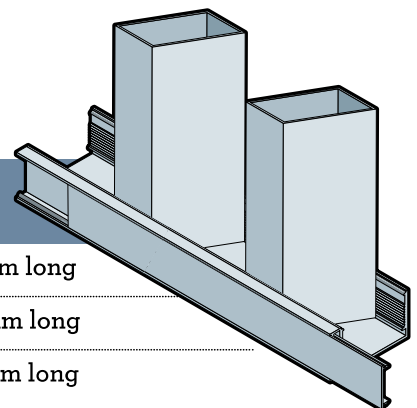
BOP1224 H46 PVT	Height: 1160mm	Width: 2350mm	Slats: 19 @ 2330mm long
BOP1524 H46 PVT	Height: 1526mm	Width: 2350mm	Slats: 25 @ 2330mm long
BOP1824 H46 PVT	Height: 1831mm	Width: 2350mm	Slats: 30 @ 2330mm long



VERTICAL SLATS

30mm face + 61.5mm gap between slats

BOP1218 V46	Height: 1185mm	Width: 1800mm	Slats: 20 @ 1165mm long
BOP1518 V46	Height: 1500mm	Width: 1800mm	Slats: 20 @ 1480mm long
BOP1818 V46	Height: 1800mm	Width: 1800mm	Slats: 20 @ 1780mm long





BelAire Oblique Fencing **viewed from the road or driveway**



BelAire Oblique Fencing **viewed from your house or garden**



For maximum versatility, slats can face in different directions within one panel

OBLIQUE FENCING





Aurora Panel Fencing



Scan to view all
BelAire fence drawings

BelAire®
DESIGNER FENCING

...make it your own!



BelAire®
DESIGNER FENCING

...make it your own!

The New Aurora Panel

The introduction of Aurora aluminium fence panels marks a significant advancement in architectural design. With their sleek and modern appearance, these panels offer a fresh aesthetic to any property they adorn. Their clean lines and durable construction make them a popular choice for both residential and commercial applications.

Architects and designers appreciate the versatility of Aurora aluminium fence panels, as they can be customized to suit various styles and preferences. Whether its a contemporary urban landscape or a traditional suburban setting, these panels seamlessly blend in while adding a touch of sophistication.

Moreover, the durability of aluminium ensures that these fence panels not only enhance the visual appeal of a property but also provide long-lasting protection and security. Their resistance to corrosion and weathering makes them a low-maintenance option for property owners seeking both style and functionality.

Overall, the introduction of Aurora aluminium fence panels represents a shift towards modern architectural aesthetics, offering a stylish solution for enhancing the look and security of any property.





Aurora Panel Fencing

DURABLE CONSTRUCTION

Made from high-quality aluminium, Aurora fence panels are built to withstand the elements and resist corrosion, ensuring long-lasting performance and minimal maintenance requirements. With guaranteed no shrinking, warping, twisting, rotting or rusting.

SLEEK DESIGN

With their modern and streamlined appearance, Aurora panels add a touch of elegance to any property. Their clean lines and smooth finish contribute to a contemporary architectural look.

CUSTOMIZABLE

Aurora aluminium fence panels are available in various styles, heights, and colours, allowing for customization to suit specific design preferences and property requirements.

EASY INSTALLATION

Designed for straightforward installation, Aurora panels come in either a full kitset or assembled panels to make installation a breeze. Simple assembly instructions, make the installation process quick and hassle-free.

We provide step by step self-install instructions that any competent DIY person should be able to follow.

LOW MAINTENANCE

Unlike traditional fencing materials such as wood, aluminium requires minimal maintenance. Aurora panels are resistant to rust, fading, and warping, ensuring they retain their appearance over time without the need for frequent upkeep.

VERSATILITY

Whether used for residential yards, commercial properties, or public spaces, Aurora aluminium fence panels offer versatility in application. They can be installed around pools, gardens, or along property lines to provide security and enhance curb appeal.

ENVIRONMENTALLY FRIENDLY

Aluminium is a sustainable and recyclable material, making Aurora fence panels an eco-friendly choice for environmentally conscious consumers.

SECURITY

In addition to their aesthetic appeal, Aurora aluminium fence panels provide a secure barrier, deterring intruders and ensuring the safety of property occupants.

The Pool Panel

SIZING

Post Centers: 1650mm

Fence Panel Heights: 1200, 1500, 1800mm

Slats Sizes: 60 x 25mm

Assembled Panel Codes: APPA1216, APPA1516, APPA1816

Kitset Panel Codes: APPK1216, APPK1516, APPK1816

Gaps between slats varies between different panel designs (see next page)

Colour options: Ebony

Custom colour options available

EACH PANEL CONTAINS

14 x 60x25mm Slats cut to suit desired height.

14 x 60 x 25mm Slat end caps

2 x 1650 Oblique channels with channel caps

64 Tek screws per panel

Posts: Panel posts need to be ordered separately



The Landscape Panel

SIZING

Post Centers: 1980mm

Fence Panel Heights: 1200, 1500, 1800mm

Slat Sizes: 60 x 25mm

Assembled Panel Codes: ALPA1216, ALPA1516, ALPA1816

Kitset Panel Codes: ALPK1216, ALPK1516, ALPK1816

Gaps between slats varies between different panel designs (See next page)

Colour options: Ebony

Custom colour options available

EACH PANEL CONTAINS

17 x 60x25mm Slats Cut to suit desired height.

17 x 60 x 25mm Slat end caps

2 x 1650 Oblique Channels with channel caps

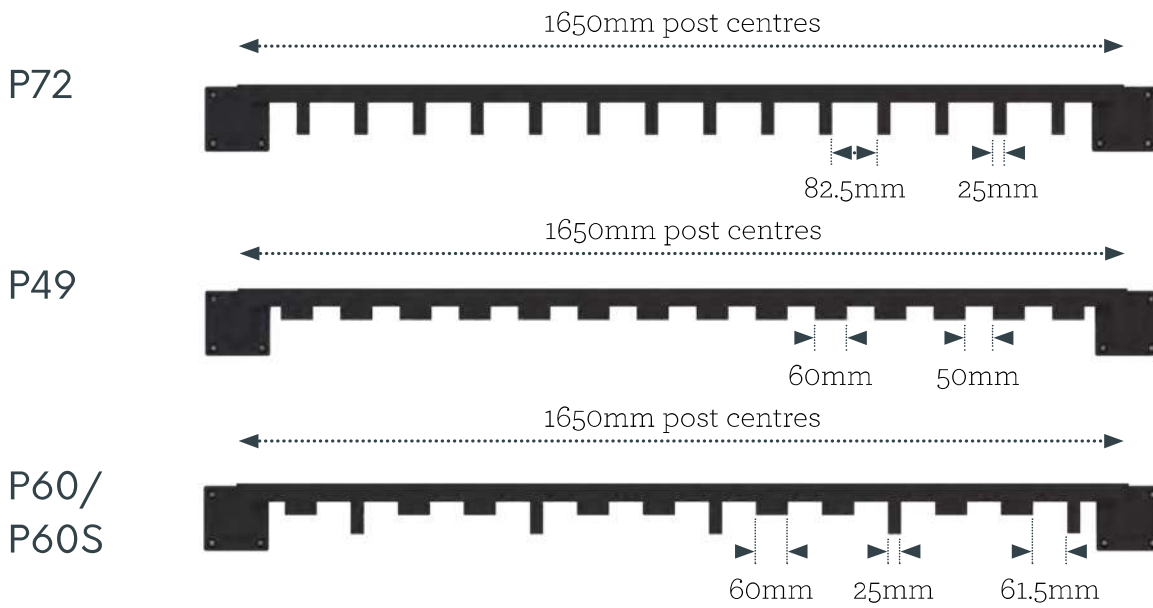
76 Tek Screws per panel

Posts: Panel posts need to be ordered separately

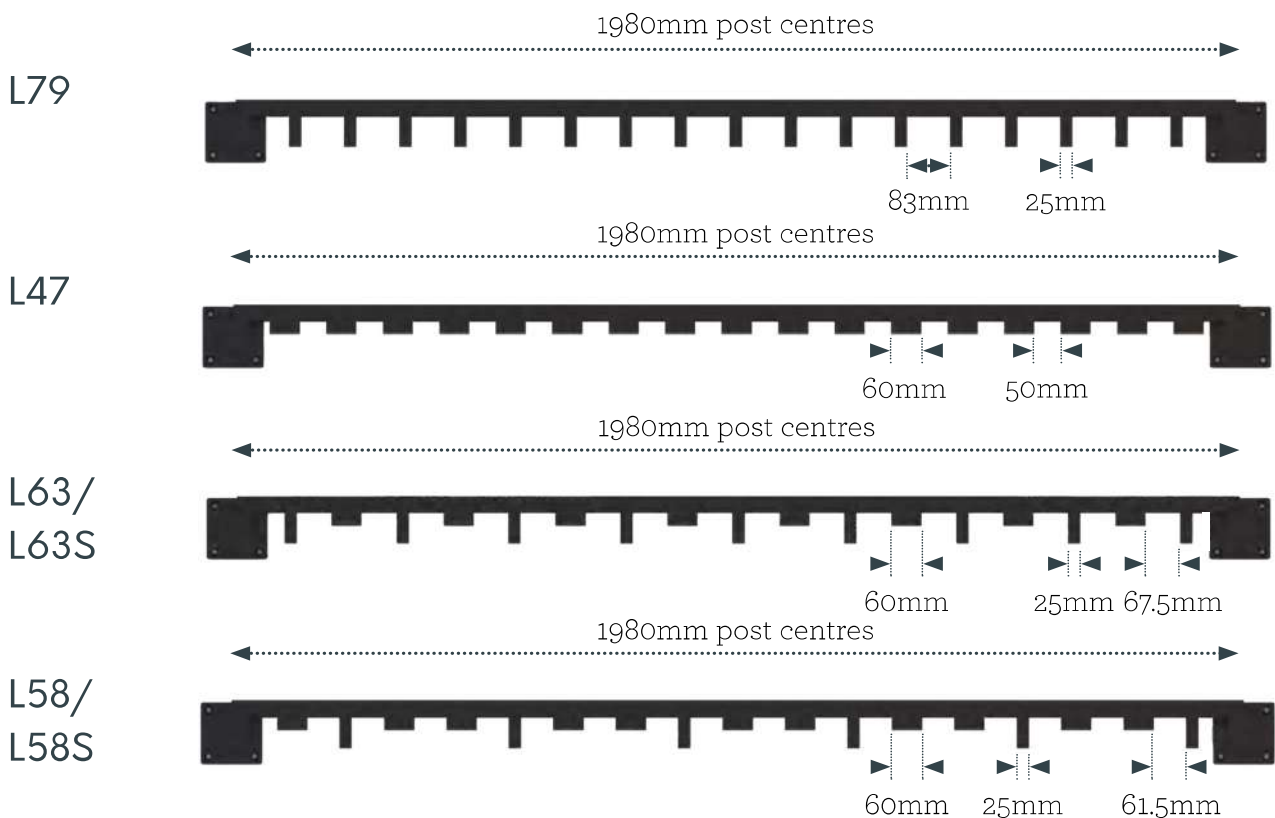


Slat Spacing

POOL

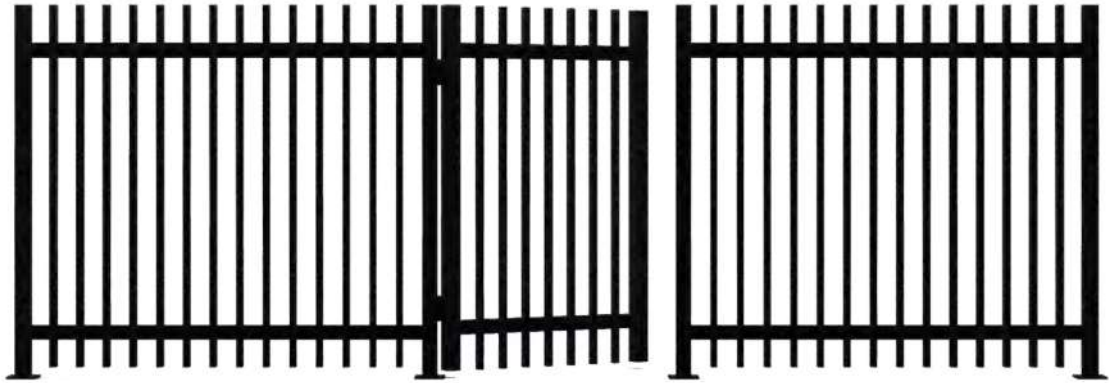


LANDSCAPE



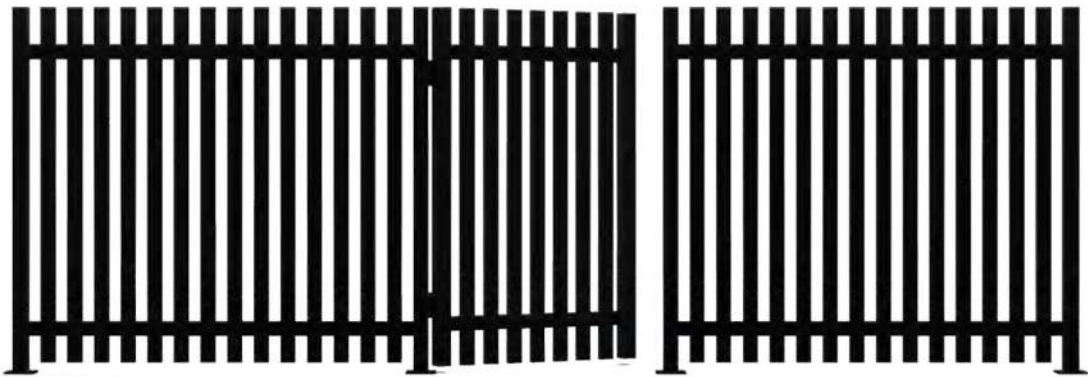
Pool Panel Designs

PANEL DESIGN P72



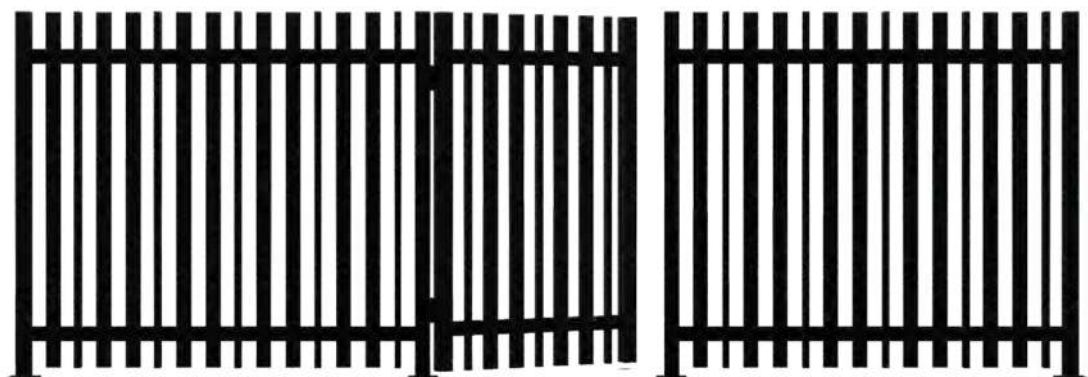
72% Permeability

PANEL DESIGN P49



49% Permeability

PANEL DESIGN P60

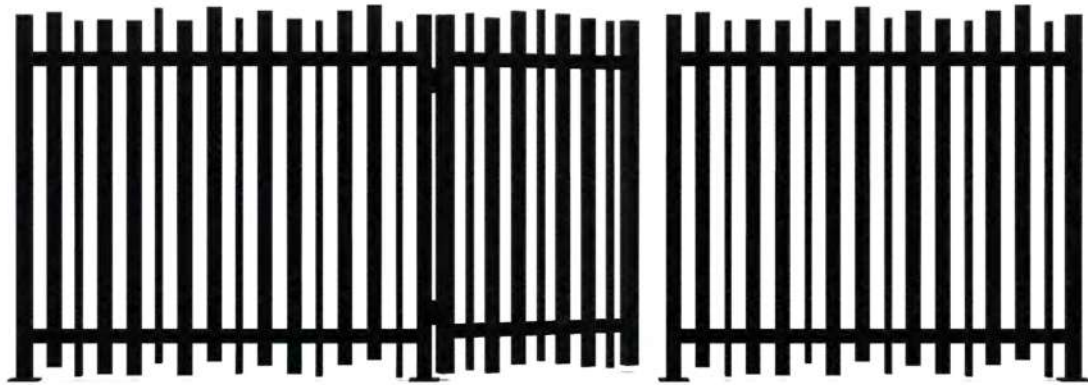


60% Permeability

KITSET PANEL or PRE-MADE PANELS?

Both the Pool and Landscape panels can be made into any of the following designs. When purchasing, you may either order in a full kitset panel to be assembled by yourself or order as a pre-made panel. Gates come pre-assembled.

PANEL DESIGN P60S (Staggered Design)



60% Permeability



* If you are making your panels with a kitset to surround a pool area please ensure you assemble the panels to comply with Building code F9. You will find the document online here...

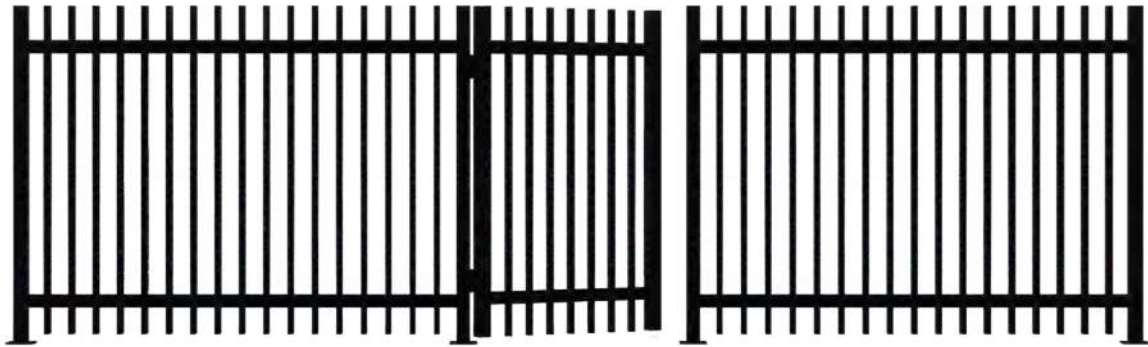
Copy Link:

<https://www.building.govt.nz/building-code-compliance/f-safety-of-users/pool-safety/>

PS1's available for Pool fencing

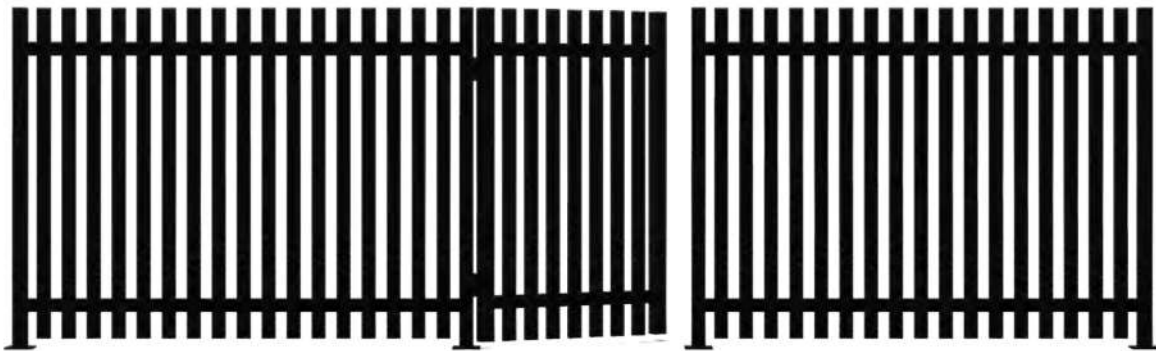
Landscape Panel Designs

PANEL DESIGN L79



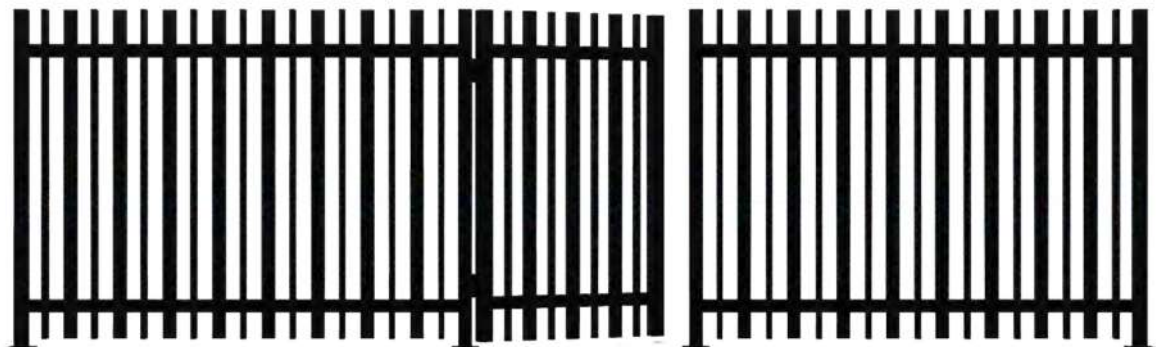
79% Permeability

PANEL DESIGN L47



47% Permeability

PANEL DESIGN L63

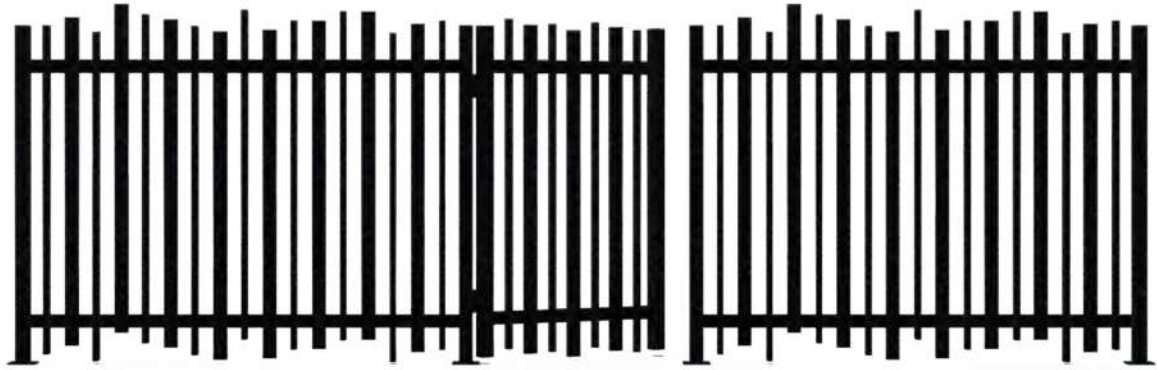


63% Permeability

KITSET PANEL or PRE-MADE PANELS?

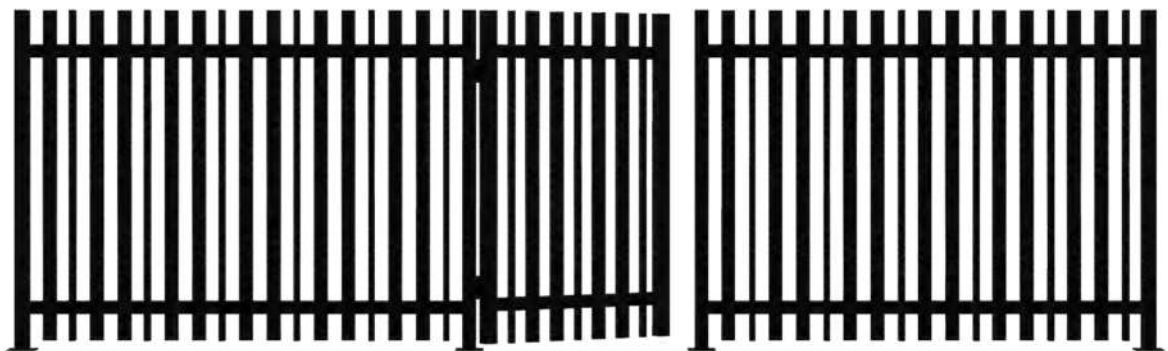
Both the Pool and Landscape panels can be made into any of the following designs. When purchasing, you may either order in a full kitset panel to be assembled by yourself or order as a pre-made panel. Gates come pre-assembled.

PANEL DESIGN L63S (Staggered Design)



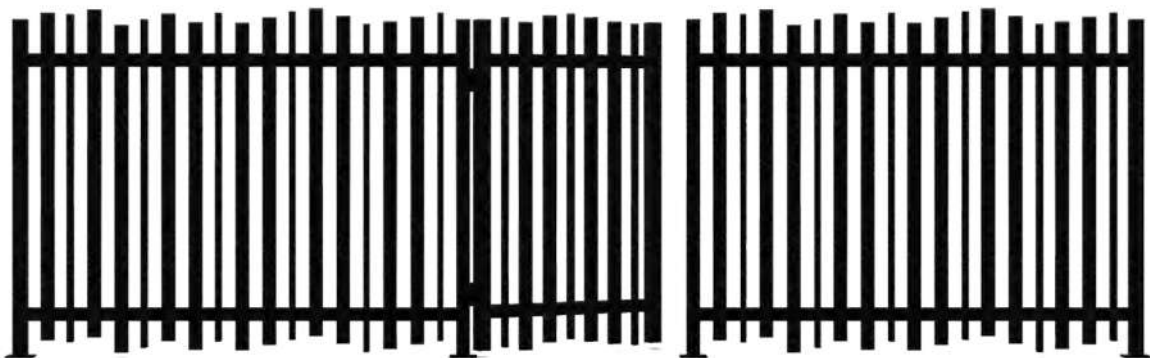
63% Permeability

PANEL DESIGN L58



58% Permeability

PANEL DESIGN L58S (Staggered Design)



58% Permeability





Solid Panel Fencing



Scan to view all
BelAire fence drawings

BelAire[®]
DESIGNER FENCING

...make it your own!



Solid Acoustic Panel Fencing

In today's world, noise reduction is one of the leading concerns across New Zealand home owners. The BelAire range of acoustic fences and noise barriers have been specifically engineered to meet the acoustic demands of our modern world.

We handle a variety of noise reduction concerns; from general neighbourhood noise, to road noise, to high-performance noise absorption enclosures for pool pumps and HVAC units. On average, our acoustic fences and road noise barriers typically achieve a 20-30dB reduction (depending on noise source and noise type), which equates to a quartering of loudness.

Understanding 'loudness', or the human perception of sound, can be tricky; but you can test just how much difference this makes with the simple help of a video and its volume controls. First, watch the video at 100% volume. Then, reduce the volume to 25%; this is the potential noise reduction that our acoustic fences offer.

Put the controls back into your hands; turn down the volume of loud neighbours and traffic noise today.

ACOUSTIC FENCING

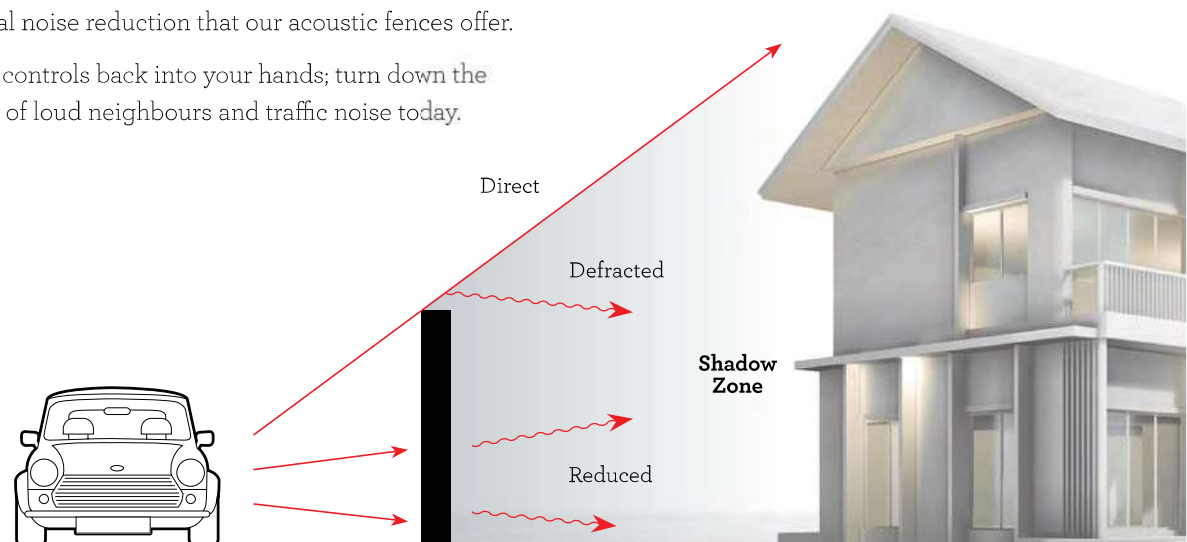
BelAire solid wall systems are acoustically tested and rated, keeping all unwanted surrounding noises at bay and providing peace and quiet for your home.

ECO FRIENDLY

Our innovative products are made of recyclable materials, with our manufacturing processes reducing emitted and embodied CO₂ by up to 80%.

NZ MADE

All BelAire walls products are NZ designed and manufactured to strict international quality standards.





BelAire®
DESIGNER FENCING

...make it your own!

Solid Panel Fencing

MODULAR SYSTEM

BelAire solid panel fencing is the most advanced modular fencing system available in New Zealand today.

DESIGNED BY YOU

With the Classic, Signature and Estate styles to choose from, you can design your fence to suit your lifestyle. Our fences and posts are all fully paintable so that you can complement or match the colour of your property.

You can also add stylish slat, louvre, tubular or glass infills, plus there is a choice of flush or exposed capping for posts and panels - the options for your fence are only limited by your imagination.

COST-EFFECTIVE

BelAire solid panel fencing has all the properties of a block wall at a fraction of the cost and mess!

BUILT TO LAST

Our pre-primed, galvanized, high-tensile support posts are very light yet structurally very strong. Our EPS/fibre cement panels are designed to withstand the typical demands placed on a fence in any environment.

EASY (DIY) INSTALLATION

Our fences are designed to be assembled with ease. There is no need for heavy construction and digging

equipment, or cranes - BelAire panels can be easily handled by two people. They are easy to install in difficult-to-access areas such as back yards or annexed ground.

We provide step by step self-install instructions that any competent DIY person should be able to follow, but if you'd rather get someone else to install it, we have a list of preferred installers throughout NZ. Call us on 0800 235 2473 and we will put you in touch with an installer in your area.

WARRANTY

New Zealand-made with a 5-year warranty period.

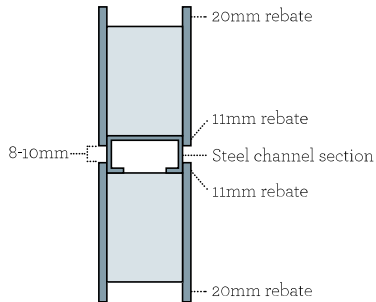
Be assured that with very little maintenance your fence will give you great privacy and security for many years to come. Only the finest raw materials have been used in the construction of your fence. The suppliers of these raw materials state that they have a design life well in excess of 20 years. With this assurance we offer you a replacement warranty for any component of your new fencing if it fails within 5 years* from date of purchase.



*2yr Warranty within a 1500m sea spray zone.

EXPOSED JOIN OR CLOSED JOIN?

An exposed join is recommended – it is more forgiving if you haven't quite got the panels 100% level, and also gives a much more attractive result.

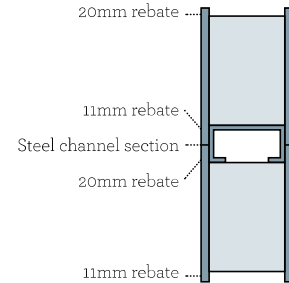


<< How to achieve a exposed join

Insert the steel channel section into the 11mm rebate in the panels

How to achieve a Closed join >>

Insert the steel channel section into the 20mm rebate in the bottom panel



NOISE BARRIER

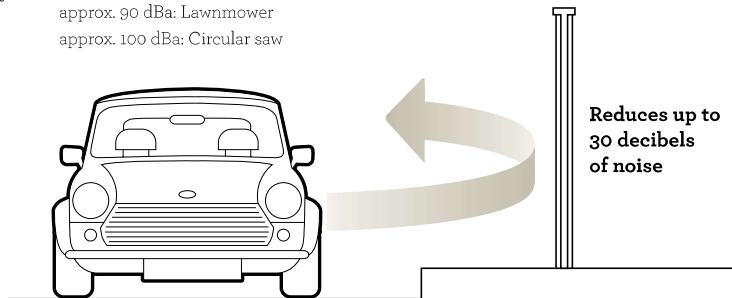
Our patented solid Poly-fibre cement composite sandwich panels are designed to reflect noise. The acoustic performance of this product was evaluated by the Acoustics Research Group at the University of Canterbury and a comprehensive report is available on request.

TYPICAL TRAFFIC NOISE – 12m from road edge

approx. 60 dBA: 2-lane urban road, 6,000 vehicles per day @ 50kph
approx. 68 dBA: 4-lane motorway, 25,000 vehicles per day @ 100kph

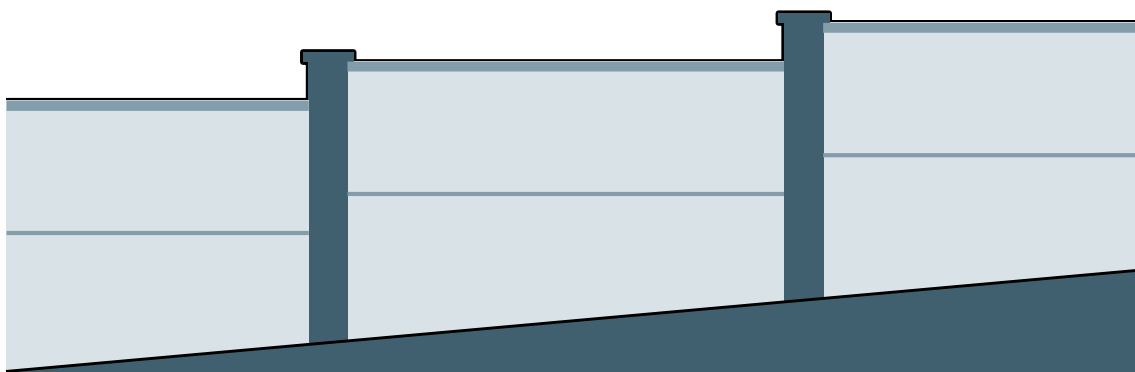
TYPICAL OTHER NOISE

approx. 90 dBA: Lawnmower
approx. 100 dBA: Circular saw



THE ALL-TERRAIN FENCE

BelAire solid panels can be easily cut using a circular saw with a timber blade. This will allow you to easily and neatly follow the terrain of your property.



CLASSIC

Post dimensions: 120mm (deep) x 180mm (face) 0.95 mm BMT

Panel thickness: 50mm

Density of composite panel materials: 15.49kg/m²

Suitable for fence heights: 900mm – 2400mm

Post centres: 2530mm, 2830mm

The classic fence is the most cost effective of the styles and most commonly used in residential boundary/screening fence applications. Suitable for less challenging terrain, this style of fence will provide great sound reduction qualities. Also suited to lower fence designs - 1200mm and 1500mm high.



SIGNATURE

Post dimensions: 140mm (deep) x 280mm (face) 0.95 mm BMT

Panel thickness: 70mm

Density of composite panel materials: 15.49kg/m²

Suitable for fence heights: 900mm – 3000mm

Post centres: 2630mm, 2930mm

The Signature fence, our most popular line, is most commonly used where a true masonry wall look is desired, or in a commercial and residential security/sound fence application. The fence has superb sound reduction qualities (National Acoustic Laboratory tested).



ESTATE

Post dimensions: 210mm (deep) x 320mm (face) 0.95 mm BMT

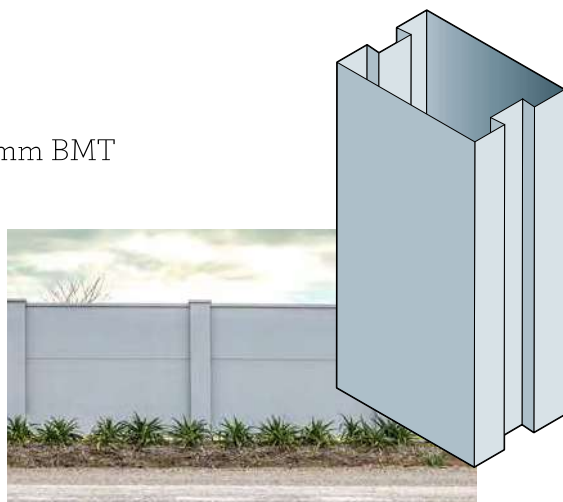
Panel thickness: 70mm

Density of composite panel materials: 15.49kg/m²

Suitable for fence heights: 900mm – 3000mm

Post centres: 2670mm, 2970mm

The Estate fence is most commonly used where a 'Grand' masonry wall look is desired. The post face is equivalent to a brick and a half in width, and the fence has superb sound reduction qualities (National Acoustic Laboratory tested).



CLASSIC

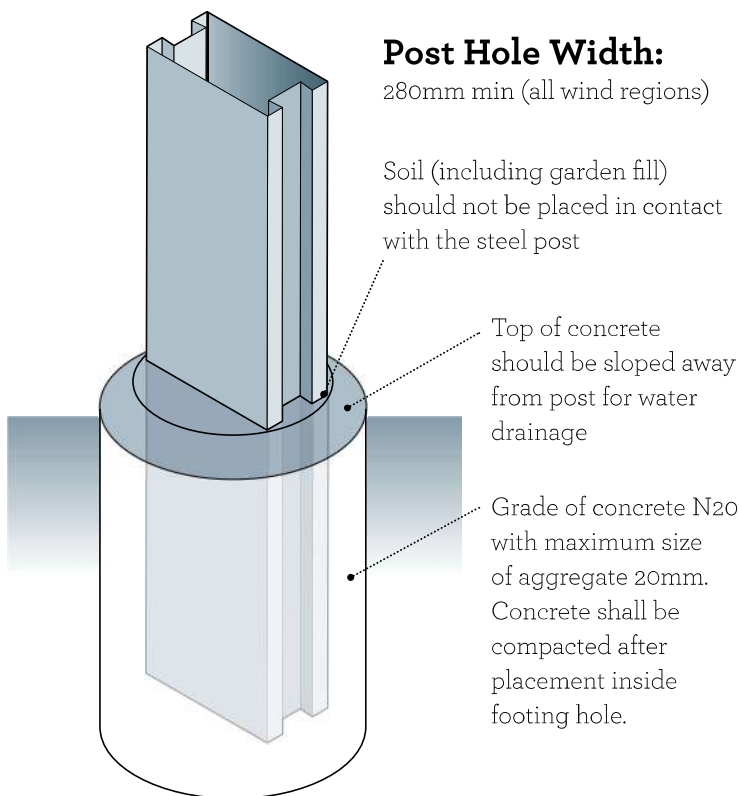
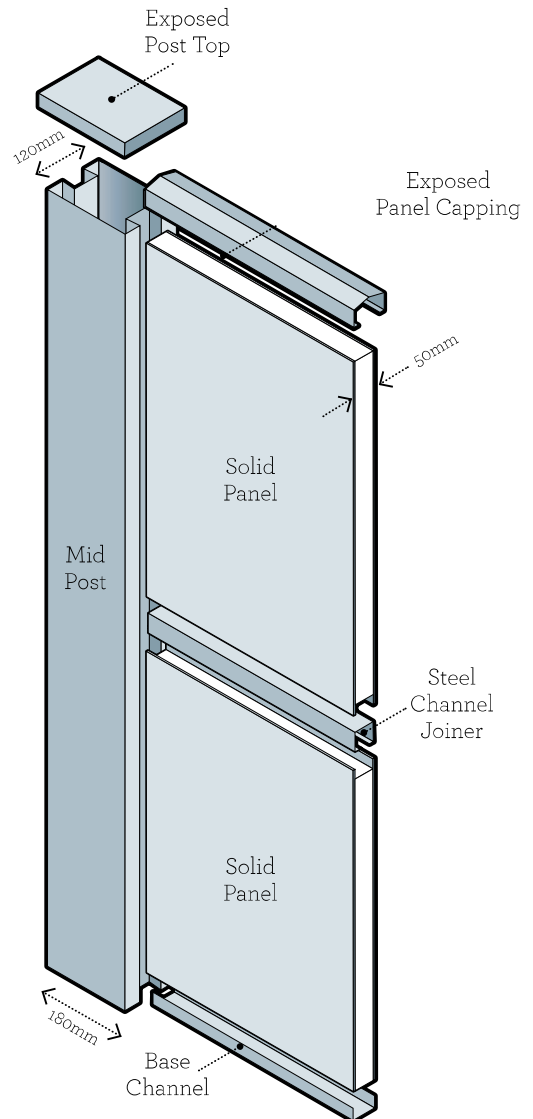
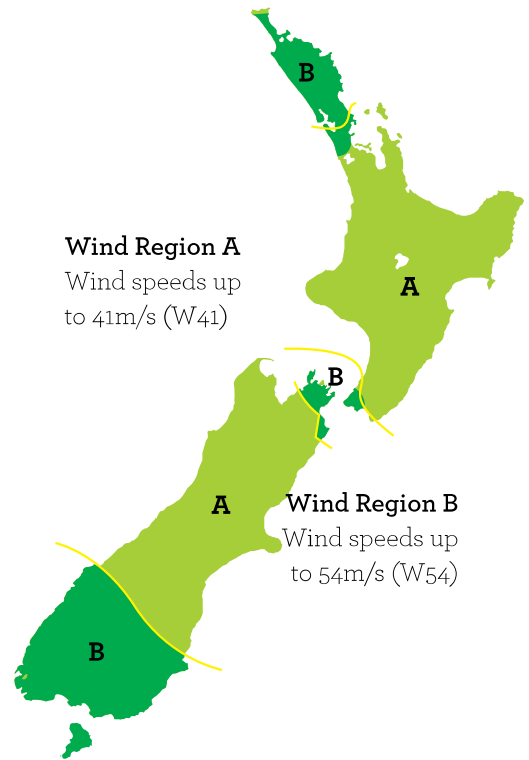
SPECIFICATIONS

Centre to Centre Guide

Panel Length	Post Hole Centres
2400mm	> 2530mm
2700mm	> 2830mm

Post Hole Depth Guide Wind Regions A&B

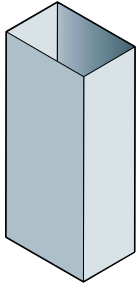
Hole Depth Into Firm Earth Or Clay	Fence Height	Hole Depth Into Sand, Soft Clay Or Loose Earth
450mm	> 900mm	> 550mm
550mm	> 1200mm	> 650mm
600mm	> 1500mm	> 700mm
650mm	> 1800mm	> 800mm
700mm	> 2100mm	> 900mm
800mm	> 2400mm	> 1000mm



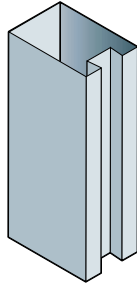
CLASSIC

PRE-PRIMED STEEL COMPONENTS

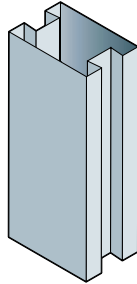
Pillar
 120mm (deep)
 × 180mm (face)
 × length subject to fence
 height plus post hole depth



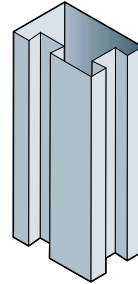
End Post
 120mm (deep)
 × 180mm (face)
 × length subject to fence
 height plus post hole depth



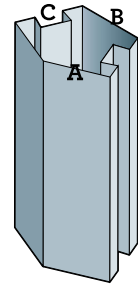
Mid Post
 120mm (deep)
 × 180mm (face)
 × length subject to fence
 height plus post hole depth



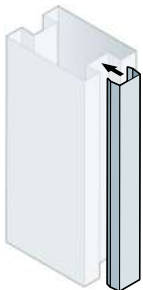
90° Post
 120mm (deep)
 × 180mm (face)
 × length subject to fence
 height plus post hole depth



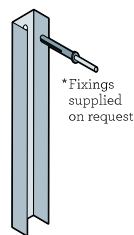
45°/Custom Angle Post
 115mm (A) × 117mm (B)
 × 120mm (C)
 × length subject to fence
 height plus post hole depth



Post Infill
 30mm (deep)
 × 50mm (face)
 × length subject to
 fence height

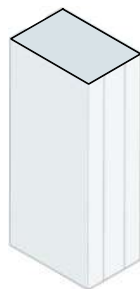


**Wall Mount
 Channel &
 Masonry Anchor***
 30mm (deep)
 × 52mm (back face)
 × length subject to
 fence height

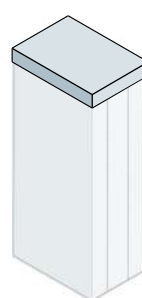


*Fixings
 supplied
 on request

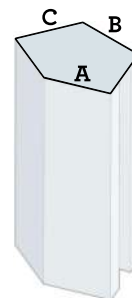
Flush Post Top
 120mm (deep)
 × 180mm (face)
 × 20mm (leg height)



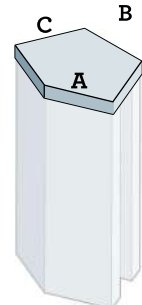
Exposed Post Top
 170mm (deep)
 × 240mm (face)
 × 40mm (height)



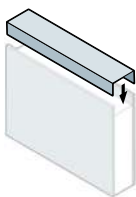
**Flush 45°
 Post Top**
 110mm (A) × 115mm (B)
 × 118mm (C)
 × 20mm (leg height)



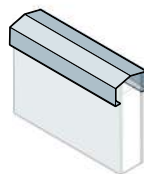
**Exposed 45°
 Post Top**
 145mm (A) × 145mm (B)
 × 155mm (C)
 × 40mm (height)



**Flush Panel
 Capping**
 20mm (leg height)
 × 51mm (top face)
 × length subject to
 panel length



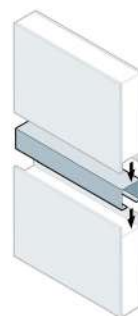
**Exposed Panel
 Capping**
 45mm (leg height)
 × 80mm (top face)
 × length subject to
 panel length



Base Channel
 20mm (leg height)
 × 51mm (face)
 × length subject to
 panel length



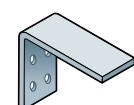
Steel Channel Joiner
 30mm (deep) × 40mm (face)
 × length subject to
 panel length



Tek Screw
 10/16 galvanised
 tek screw
 16mm (length)



Support Bracket
 35mm (deep)
 × 40mm (face with holes) ×
 48mm (wide)



CLASSIC INFILL PANELS

Slat and **Aurora** are also available to enhance your fencing. Please refer to the individual infill pages later in this section.

SIGNATURE

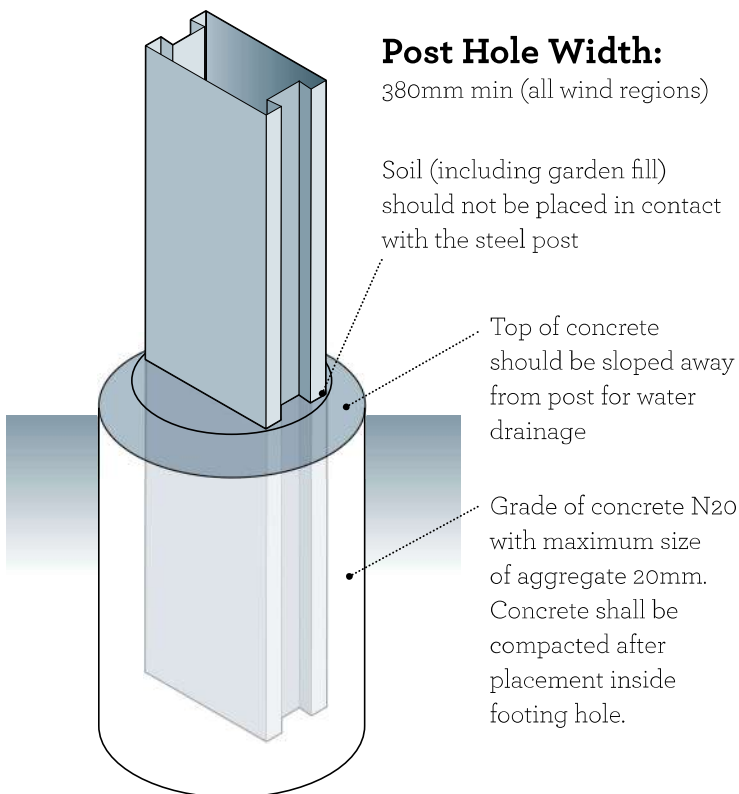
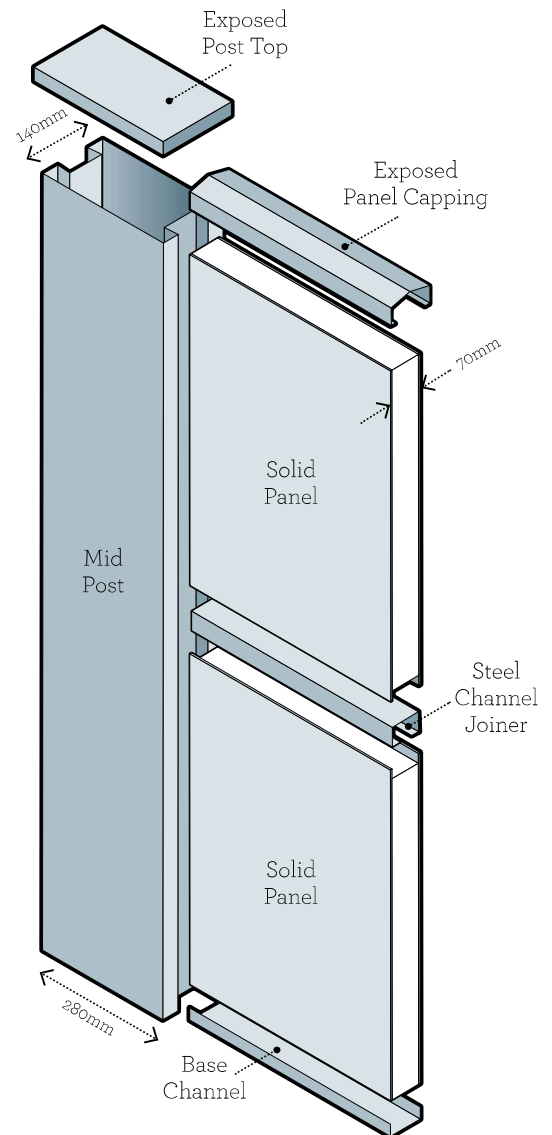
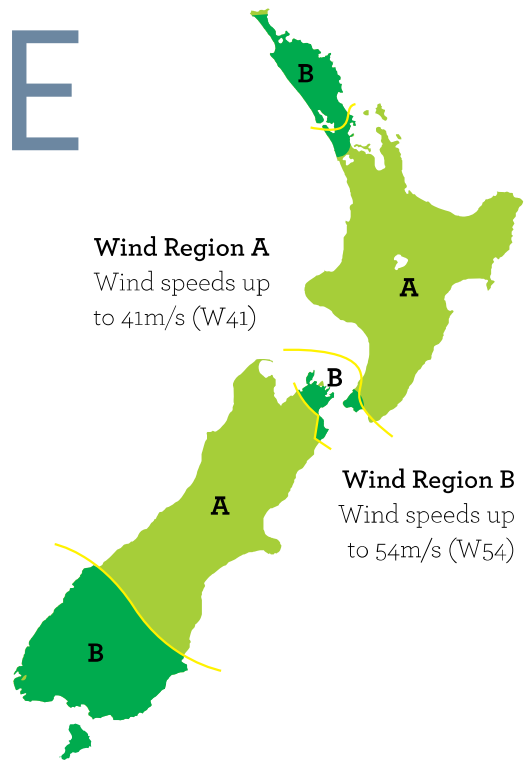
SPECIFICATIONS

Centre to Centre Guide

Panel Length	Post Hole Centres
2400mm	> 2630mm
2700mm	> 2930mm

Post Hole Depth Guide Wind Regions A&B

Hole Depth Into Firm Earth Or Clay	Fence Height	Hole Depth Into Sand, Soft Clay Or Loose Earth
450mm	> 900mm	> 550mm
550mm	> 1200mm	> 650mm
600mm	> 1500mm	> 700mm
650mm	> 1800mm	> 800mm
700mm	> 2100mm	> 900mm
800mm	> 2400mm	> 1000mm
900mm	> 2700mm	> 1100mm
1000mm	> 3000mm	> 1200mm

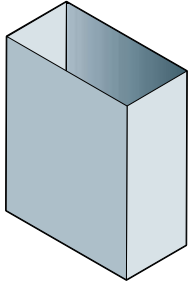


SIGNATURE

PRE-PRIMED STEEL COMPONENTS

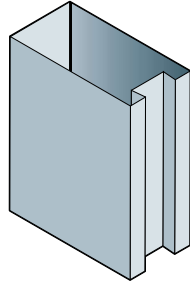
Pillar

140mm (deep)
 × 280mm (face)
 × length subject to fence
 height plus post hole depth



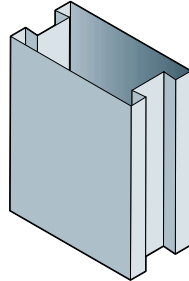
End Post

140mm (deep)
 × 280mm (face)
 × length subject to fence
 height plus post hole depth



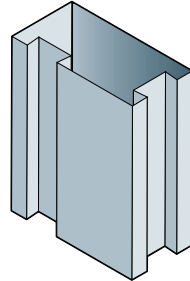
Mid Post

140mm (deep)
 × 280mm (face)
 × length subject to fence
 height plus post hole depth



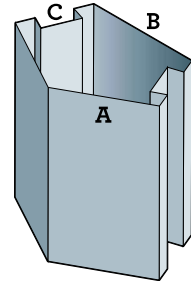
90° Post

140mm (deep)
 × 280mm (face)
 × length subject to fence
 height plus post hole depth



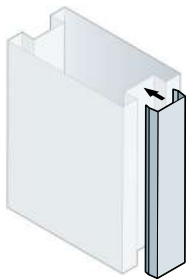
45°/Custom Angle Post

170mm (A) × 205mm (B)
 × 137mm (C)
 × length subject to fence
 height plus post hole depth



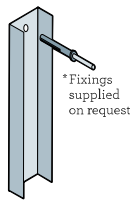
Post Infill

30mm (deep)
 × 70mm (face)
 × length subject to
 fence height



Wall Mount Channel & Masonry Anchor*

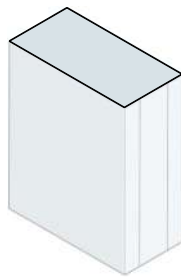
30mm (deep)
 × 72mm (back face)
 × length subject to
 fence height



*Fixings
supplied
on request

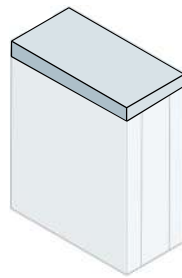
Flush Post Top

140mm (deep)
 × 280mm (face)
 × 20mm (leg height)



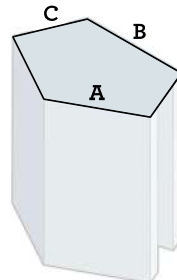
Exposed Post Top

190mm (deep)
 × 330mm (face)
 × 40mm (height)



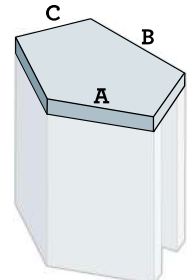
Flush 45° Post Top

165mm (A) × 199mm (B)
 × 139mm (C)
 × 20mm (leg height)



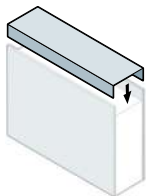
Exposed 45° Post Top

200mm (A) × 230mm (B)
 × 180mm (C)
 × 40mm (height)



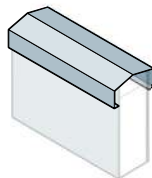
Flush Panel Capping

20mm (leg height)
 × 71mm (top face)
 × length subject to
 panel length



Exposed Panel Capping

55mm (leg height)
 × 100mm (top face)
 × length subject to
 panel length



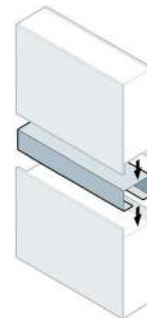
Base Channel

20mm (leg height)
 × 71mm (face)
 × length subject to
 panel length



Steel Channel Joiner

30mm (deep) × 60mm (face)
 × length subject to
 panel length



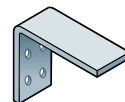
Tek Screw

10/16 galvanised
 tek screw
 16mm (length)



Support Bracket

40mm (deep)
 × 60mm (face with holes) ×
 78mm (wide)



SIGNATURE INFILL PANELS

Slat, Louvre, Aurora and **Glass Infills** are also available to enhance your fencing. Please refer to the individual infill pages later in this section.

ESTATE

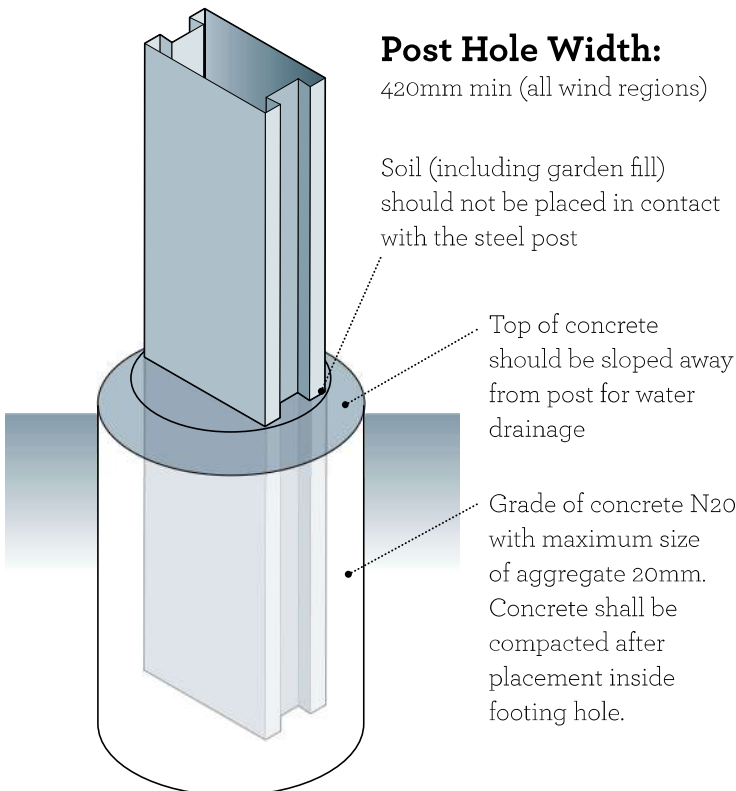
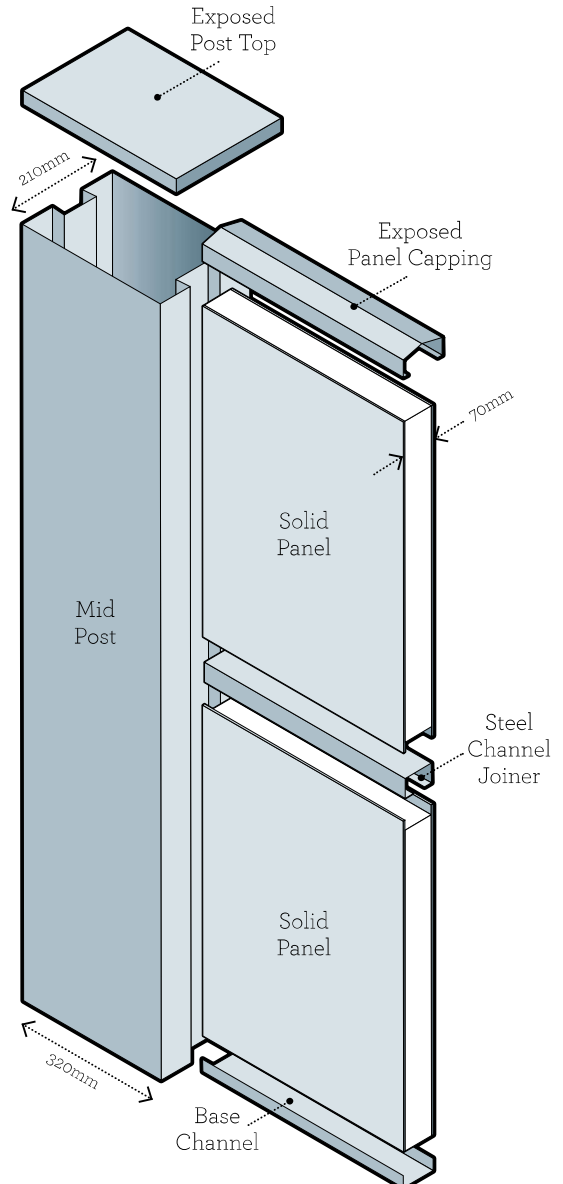
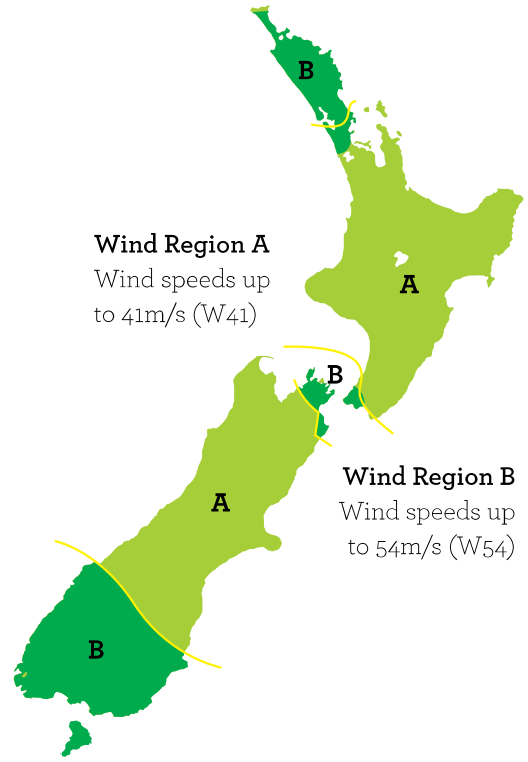
SPECIFICATIONS

Centre to Centre Guide

Panel Length	Post Hole Centres
2400mm	> 2670mm
2700mm	> 2970mm

Post Hole Depth Guide Wind Regions A&B

Hole Depth Into Firm Earth Or Clay	Fence Height	Hole Depth Into Sand, Soft Clay Or Loose Earth
450mm	> 900mm	> 550mm
550mm	> 1200mm	> 650mm
600mm	> 1500mm	> 700mm
650mm	> 1800mm	> 800mm
700mm	> 2100mm	> 900mm
800mm	> 2400mm	> 1000mm
900mm	> 2700mm	> 1100mm
1000mm	> 3000mm	> 1200mm

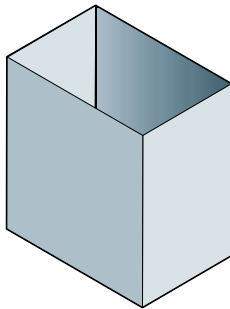


ESTATE

PRE-PRIMED STEEL COMPONENTS

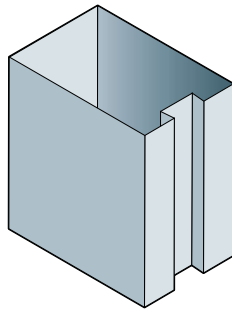
Pillar

210mm (deep)
 × 320mm (face)
 × length subject to fence
 height plus post hole depth



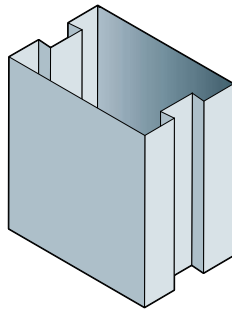
End Post

210mm (deep)
 × 320mm (face)
 × length subject to fence
 height plus post hole depth



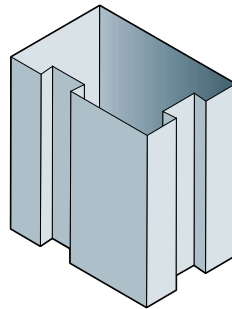
Mid Post

210mm (deep)
 × 320mm (face)
 × length subject to fence
 height plus post hole depth



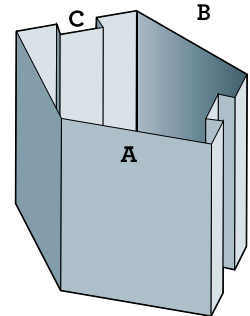
90° Post

210mm (deep)
 × 320mm (face)
 × length subject to fence
 height plus post hole depth



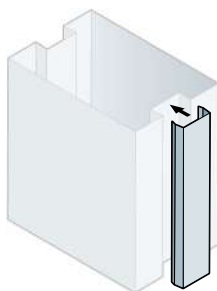
45°/Custom Angle Post

207mm (A) × 220mm (B)
 × 210mm (C)
 × length subject to fence
 height plus post hole depth



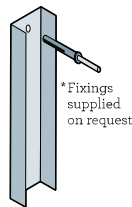
Post Infill

30mm (deep)
 × 70mm (face)
 × length subject to
 fence height



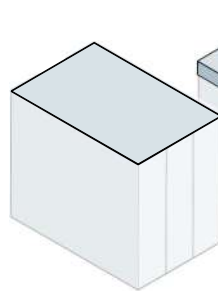
Wall Mount Channel & Masonry Anchor*

30mm (deep)
 × 72mm (back face)
 × length subject to
 fence height



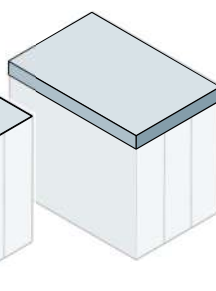
Flush Post Top

210mm (deep)
 × 320mm (face)
 × 20mm (leg height)



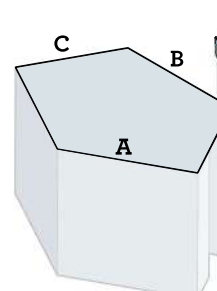
Exposed Post Top

260mm (deep)
 × 370mm (face)
 × 40mm (height)



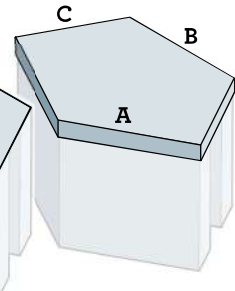
Flush 45° Post Top

202mm (A) × 215mm (B)
 × 208mm (C)
 × 20mm (leg height)



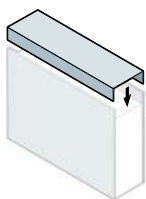
Exposed 45° Post Top

237mm (A) × 250mm (B)
 × 260mm (C)
 × 40mm (height)



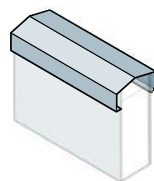
Flush Panel Capping

20mm (leg height)
 × 71mm (top face)
 × length subject to
 panel length



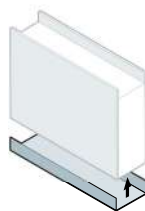
Exposed Panel Capping

55mm (leg height)
 × 100mm (top face)
 × length subject to
 panel length



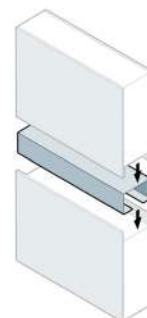
Base Channel

20mm (leg height)
 × 71mm (face)
 × length subject to
 panel length



Steel Channel Joiner

30mm (deep) × 60mm (face)
 × length subject to
 panel length



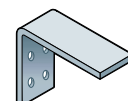
Tek Screw

10/16 galvanised
 tek screw
 16mm (length)



Support Bracket

40mm (deep)
 × 60mm (face with holes) ×
 78mm (wide)



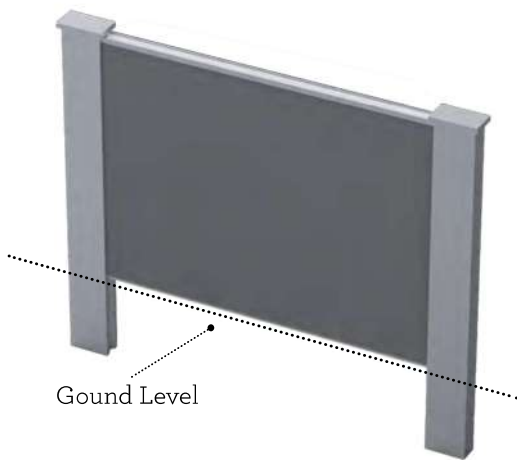
ESTATE INFILL PANELS

Slat, Louvre, Aurora and **Glass Infills** are also available to enhance your fencing. Please refer to the individual infill pages later in this section.

SOLID WALL CAPPING OPTIONS

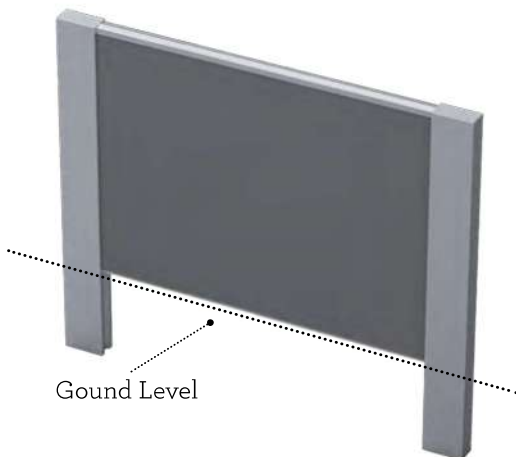
FULL EXPOSED CAP

Exposed caps for panels and posts, will give your fence a timeless look.



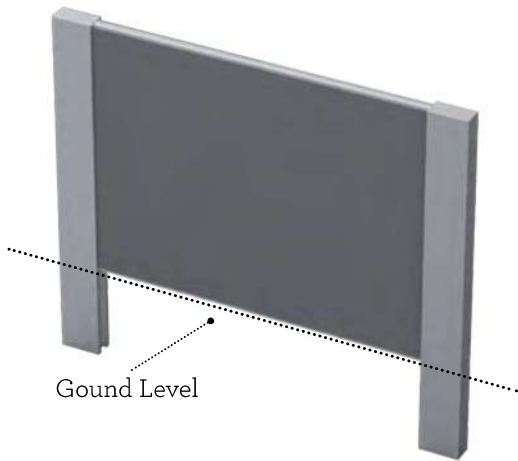
EXPOSED PANEL CAPS

Exposed panels caps with flush post caps, for sleek style.



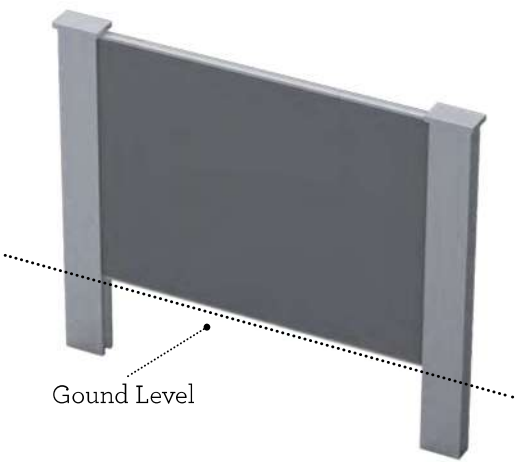
FLUSH CAP

Flush capping for panels and posts, for a minimalist modern look.



EXPOSED POST CAPS

Exposed posts caps with flush panel caps, for a basic style.



CLASSIC PANELS

SOLID PANELS

Construction:

5mm fibre cement outer skins
40mm expanded polystyrene core

2400mm (length) x 600mm (height) x 50mm (width)

2400mm (length) x 900mm (height) x 50mm (width)

2400mm (length) x 1200mm (height) x 50mm (width)

2700mm (length) x 900mm (height) x 50mm (width)

2700mm (length) x 1200mm (height) x 50mm (width)



SIGNATURE • ESTATE PANELS

SOLID PANELS

Construction:

5mm fibre cement outer skins

60mm expanded polystyrene core

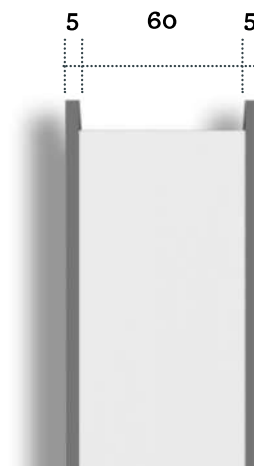
2400mm (length) x 600mm (height) x 70mm (width)

2400mm (length) x 900mm (height) x 70mm (width)

2400mm (length) x 1200mm (height) x 70mm (width)

2700mm (length) x 900mm (height) x 70mm (width)

2700mm (length) x 1200mm (height) x 70mm (width)



CLASSIC • SIGNATURE • ESTATE INFILL PANELS

HORIZONTAL SLAT INFILL PANELS

Slat Infill Panel Height Options:

300mm 900mm 1500mm
600mm 1200mm 1800mm

Slat Sizes:

2330mm (length) x 60mm (height) x 25mm (width)
2330mm (length) x 85mm (height) x 25mm (width)
2630mm (length) x 60mm (height) x 25mm (width)
2630mm (length) x 85mm (height) x 25mm (width)

Slat Construction:

Powdercoated aluminium

85mm x 25mm

60mm x 25mm

Construction

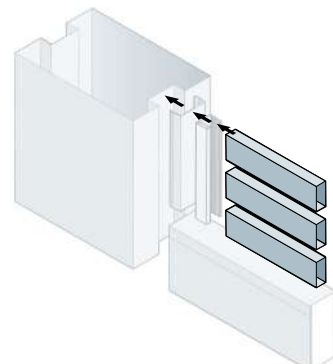
Aluminium slat channel with cover, powdercoated to same colour as the slats.

Slat Channel: 39mm x 32mm (includes screw cover plate)

Slat channel length will be cut to length required - total height of all slats plus gaps between slats, and gaps top and bottom.



60mm only available in Ebony



CLASSIC • SIGNATURE • ESTATE INFILL PANELS

VERTICAL SLAT INFILL PANELS

Slat Infill Panel Height Options:

300mm 900mm 1500mm

600mm 1200mm 1800mm

Slat Sizes:

2330mm (length) x 60mm (height) x 25mm (width)

2330mm (length) x 85mm (height) x 25mm (width)

2630mm (length) x 60mm (height) x 25mm (width)

2630mm (length) x 85mm (height) x 25mm (width)

Slat Construction:

Powdercoated aluminium

85mm x 25mm

60mm x 25mm

Construction:

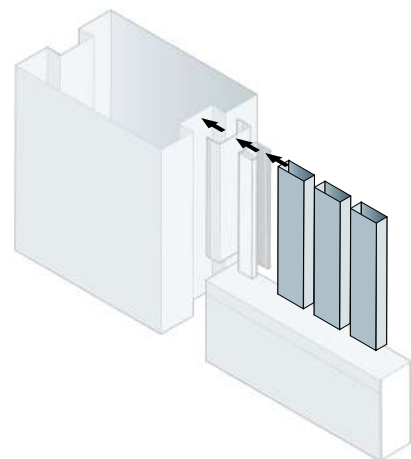
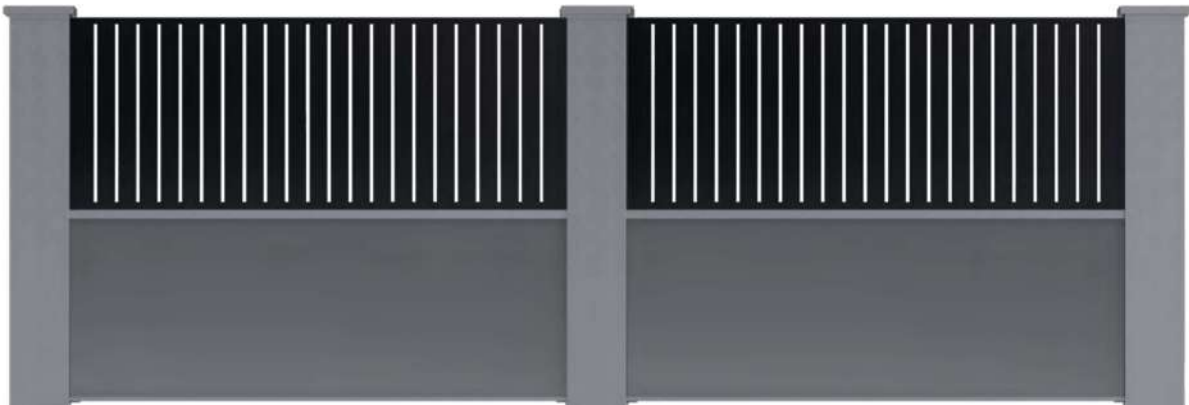
Aluminium slat channel with cover, powdercoated to same colour as the slats.

Slat Channel: 39mm x 32mm (includes screw cover plate)

Vertical Slat channel length will be cut to length required - Horizontal channels will be supplied ready to be trimmed down to the required length onsite.



Titania Gull Grey Slate Grey Grey Friars Ironsand Flax Ebony



SIGNATURE • ESTATE INFILL PANELS

LOUVRE INFILL PANELS

Louvre Infill Panel Height Options:

350mm (3 louvres)	1200mm (10 louvres)
600mm (5 louvres)	1500mm (13 louvres)
900mm (8 louvres)	1800mm (15 louvres)

Louvre Sizes:

2400mm (length) x 136mm (height) x 32mm (width)
to suit 2400mm panels

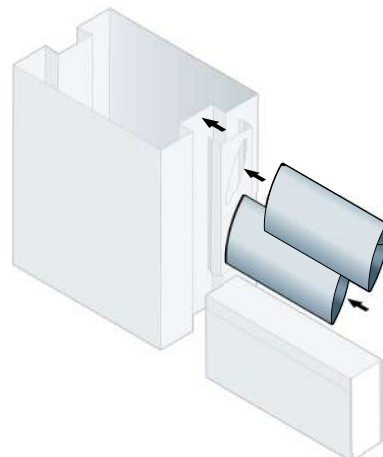
2700mm (length) x 136mm (height) x 32mm (width)
to suit 2700mm panels

Construction:

Powdercoated to your colour choice.

Aluminium Louvre 135mm x 30mm inserted into a prepunched steel Channel that accepts the louvre infill.

Louvres may need to be cut shorter onsite to be inserted onto the fixing bar. The finished assembly can then be inserted between the posts.



SIGNATURE • ESTATE INFILL PANELS

AURORA INFILL PANELS

Aurora Infill Panel Height Options:

900mm 1500mm

1200mm 1800mm

Aurora Infill Panel Designs:

See the Aurora pages for the range of different panel designs.

Slat Construction:

Powdercoated aluminium

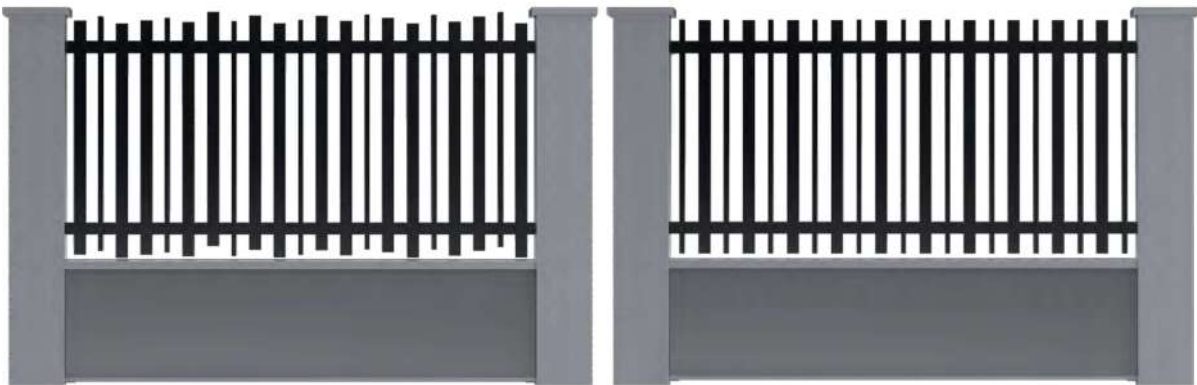
60mm x 25mm

Construction:

**Aluminium slat channel with cover,
powdercoated to same colour as the slats.**

Slat Channel: 60mm x 32mm (includes screw cover plate)

Vertical Slat channel length will be cut to length required - Horizontal channels will be supplied ready to be trimmed down to the required length onsite.



SIGNATURE • ESTATE INFILL PANELS

GLASS INFILL PANELS

For the 70mm rebate in the Signature and Estate posts only

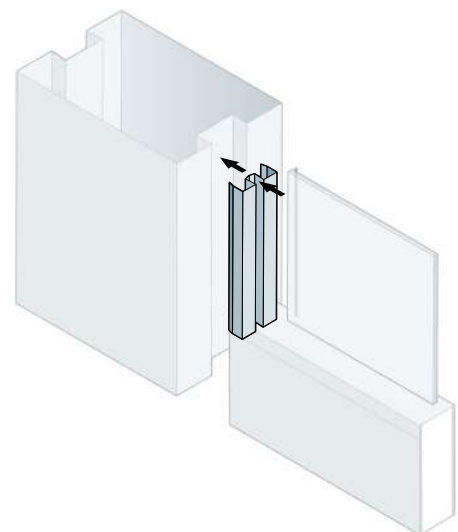
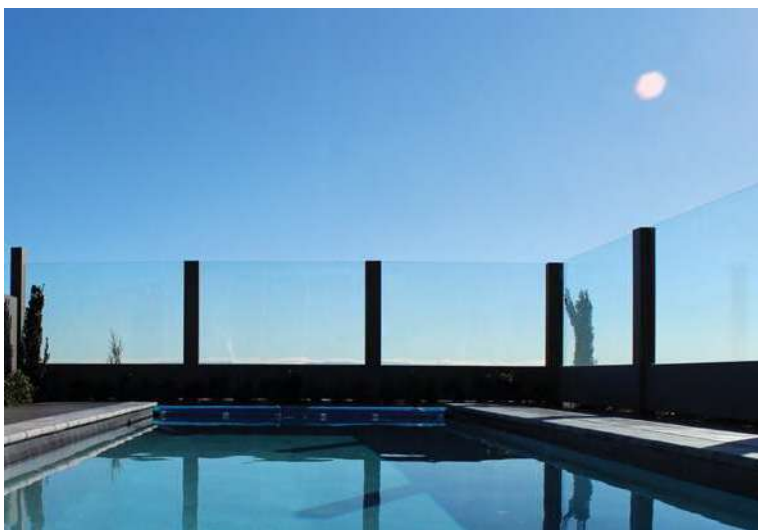
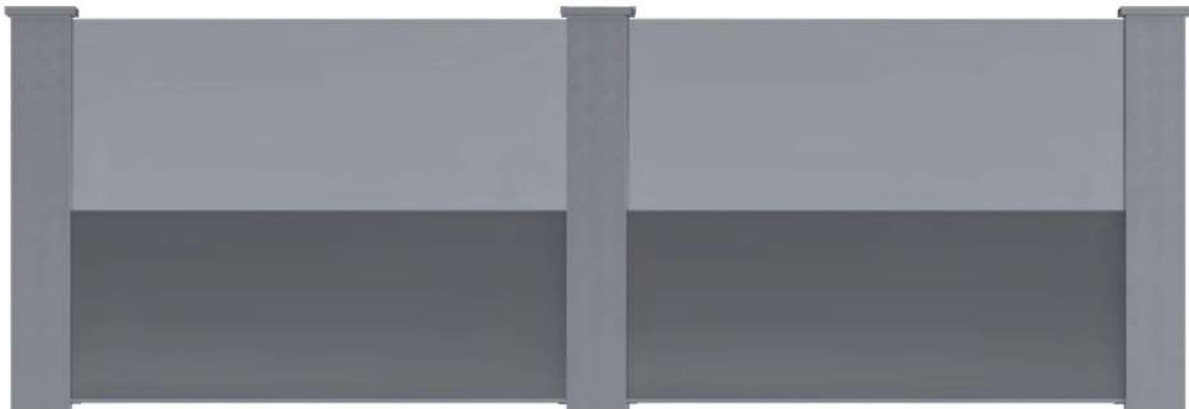
Construction:

12mm toughened safety glass

**2380mm (length) x 1200mm Max. (height)
x 12mm (width)**

Max Glass Panel Size

**2400 Max (length) x 1200mm. (height)
x 12mm (width)**



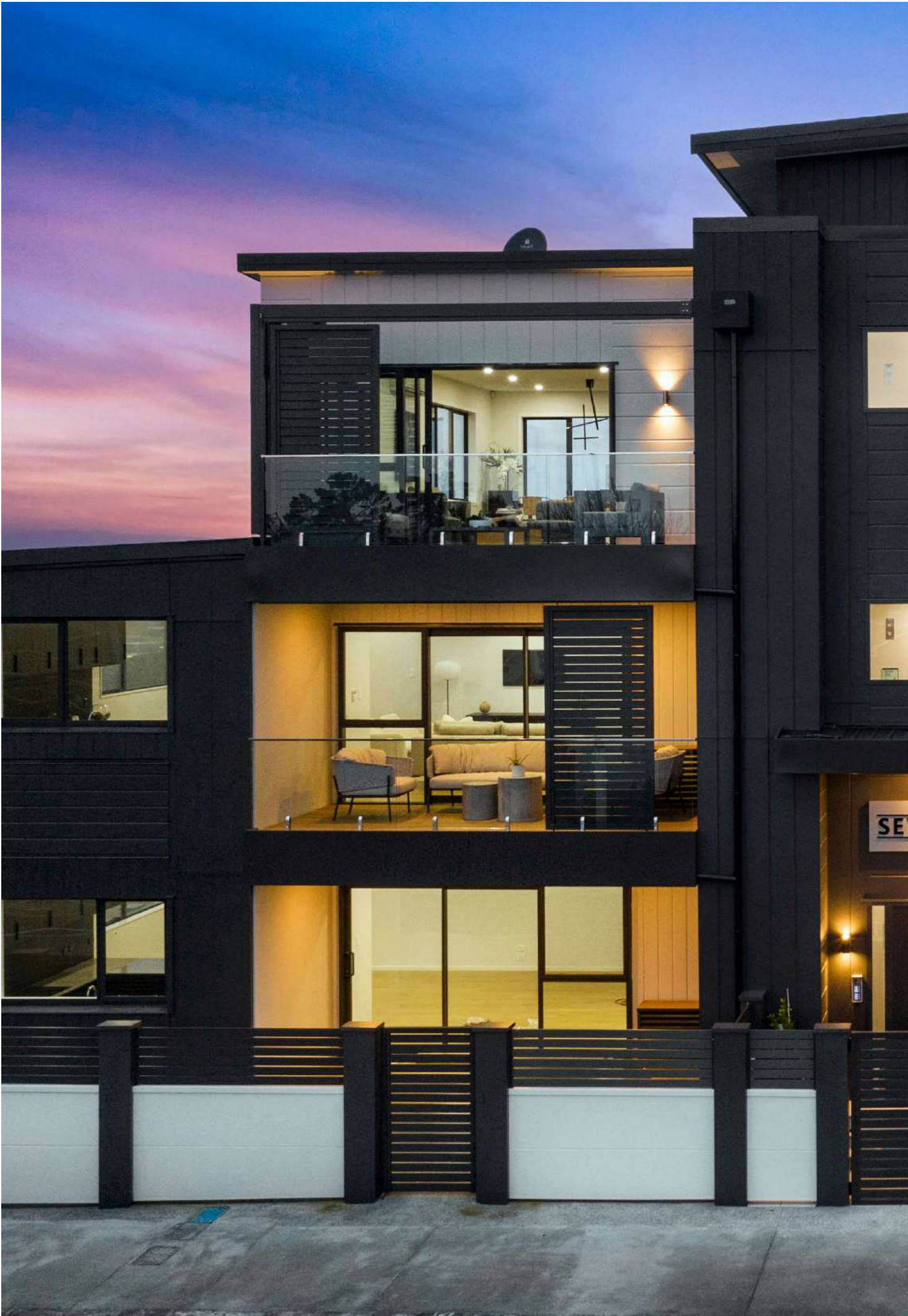
Commercial Acoustic Barriers



Scan to view all
Belaire fence drawings

BelAire®
DESIGNER FENCING

...make it your own!





BelAire[®]
DESIGNER FENCING

...make it your own!

Commercial Acoustic Barriers

HOW DOES A NOISE BARRIER WORK?

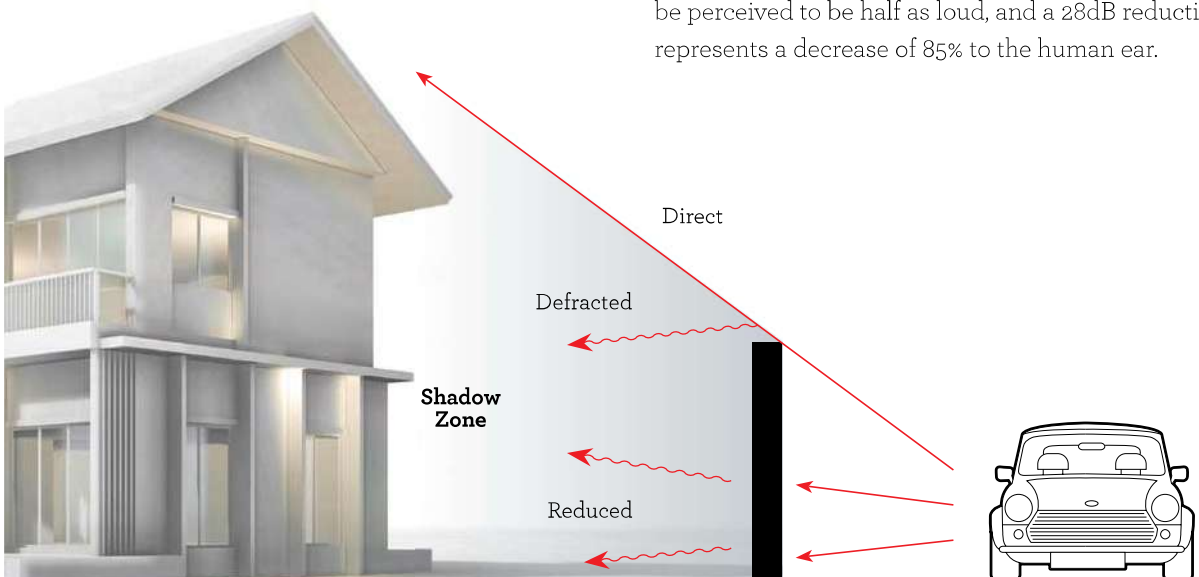
A noise barrier is a solid structure that intercepts and reduces sound within the shadow that it casts. The closer a barrier can be to the source or receiver and the higher it is, the more effective it will be, and, to be effective, the line of sight between the source and receiver must be blocked completely by the barrier.

The standard BelAire 70mm panel, with its 60mm expanded polystyrene core, will reduce sound levels up to approximately 28 decibels*.

*See "Acoustic Barrier Field Test". Levels in your own situation may differ due to environmental conditions such as ground type and surrounding objects or buildings. Frequency is also a factor - high frequency sounds are more effectively decreased than low frequencies.

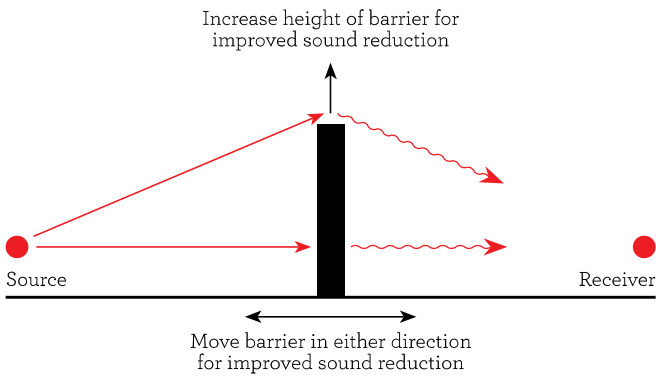
HUMAN PERCEPTION OF SOUND

DID YOU KNOW? A decrease in noise of 10dB would be perceived to be half as loud, and a 28dB reduction represents a decrease of 85% to the human ear.



COMMERCIAL ACOUSTIC BARRIERS

Decibels	Residential	Commercial
20dB	Whisper	Secluded Woods
45dB	Bedroom	Library
60dB	Conversation	Air Conditioning Unit
70dB	Living Room Music	Passing Cars
80dB	Factory Office	Passing Truck
90dB	Lawn Mower	Chainsaw
100dB	Motorbike	Jointer/Planer
110dB	Music Concert	Jack Hammer
120dB	Rock Concert	Jet Aircraft 150m away
140dB	Large Generator	Jet Aircraft 5m away



ACOUSTIC FIELD TEST REPORT

Evaluated by the Acoustics Research Group at the University of Canterbury. A comprehensive report is available on request.

PURPOSE:

It is the intention of this report to illustrate the performance of the BelAire barrier system in real-world applications. These testing environments were selected due to their ability to offer easily identifiable and comparable scenarios. This included:

- Origin of sound, its type and extent
- Geographical layout
- Barrier configuration

SCOPE:

This information is to be used as a guide and in conjunction with the independent laboratory testing that has been performed on BelAire barriers. The test results reported below are an accurate account of the locations used. Should specific values be required for an application of the BelAire barrier system, it is recommended that a formal acoustic analysis be undertaken for that environment.

TESTING EQUIPMENT SPECIFICATIONS

Digitech model	QM-1589
Standard applied	IEC651 type 2, ANSI S1.4 type2
Frequency range	31.5Hz-8kHz
Measuring level range	30-130dB (Low range 30-100dB used for these records)
Frequency weighting	A/C (A used for these records)
Microphone	½" electret condenser
Time weighing	Fast 125mS, Slow 1 Sec (Slow used for these records)
Accuracy	+/-1.5dB

TEST 1 HIGHWAY ROAD NOISE

Origin source	6 lane highway (70Km/hr)
Location of barrier from origin	5.5m
Barrier type	4.0m barrier type wall (75mm panel)

Readings at exposed side

Steady fluctuation	71-81dB
Peak reading	84dB
Minimum reading	68dB

Readings at shielded side

Steady fluctuation	58-60dB
Peak reading	61dB
Minimum reading	56dB

NOTES:

Further readings were taken at a distance of 5m back from the shielded side of the barrier (approx 10.5m from origin). Readings at this distance displayed a fluctuating range of 1 to 2dB higher than at the shielded face of the barrier. Readings at greater distances from the shielded face displayed only ambient sound levels and were not influenced by the fluctuating decibel range of the highway.

TEST 2 DOMESTIC LAWNMOWER

Origin source	2-Stroke lawnmower
Location of barrier from origin	2m
Barrier type	2.1m traditional type wall (75mm panel)

Readings at exposed side

Steady fluctuation	90-91dB (min/max reading also)
--------------------	-----------------------------------

Readings at shielded side

Steady fluctuation	62dB (min/max reading also)
--------------------	--------------------------------

NOTES:

A secondary reading was taken at a distance of 5 meters back from the shielded side of the barrier and a steady reading of 63 dB was recorded. This increase of approx 1dB is consistent with the highway values shown in Test 1. The peak and minimum readings for the lawnmower test are not listed due to them being identical to the steady output values.

ACOUSTIC BARRIER POSTS

FOR BARRIERS up to 3.0m HIGH

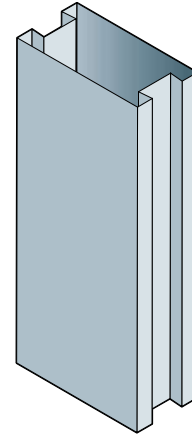
Post dimensions: 140mm (deep) x 280mm (face) 0.95 mm BMT

Panel thickness: 70mm

Density of composite panel materials: 15.49kg/m²

Suitable for fence heights: 900mm – 3000mm

Post centres: 2630mm, 2930mm



FOR BARRIERS up to 3.1m – 5.1m HIGH

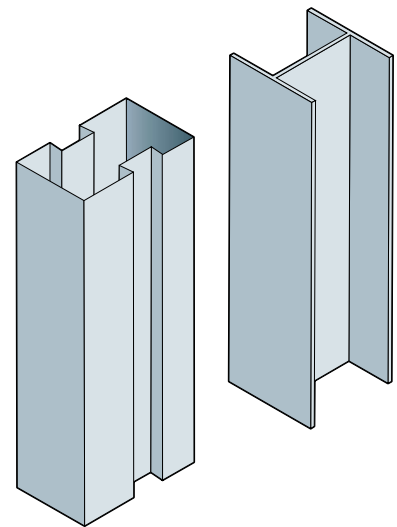
Post dimensions: 250mm (deep) x 150mm (face) 0.95 mm BMT

Panel thickness: 70mm

Density of composite panel materials: 15.49kg/m²

Suitable for fence heights: 3000mm – 5100mm

Post centres: 2470mm

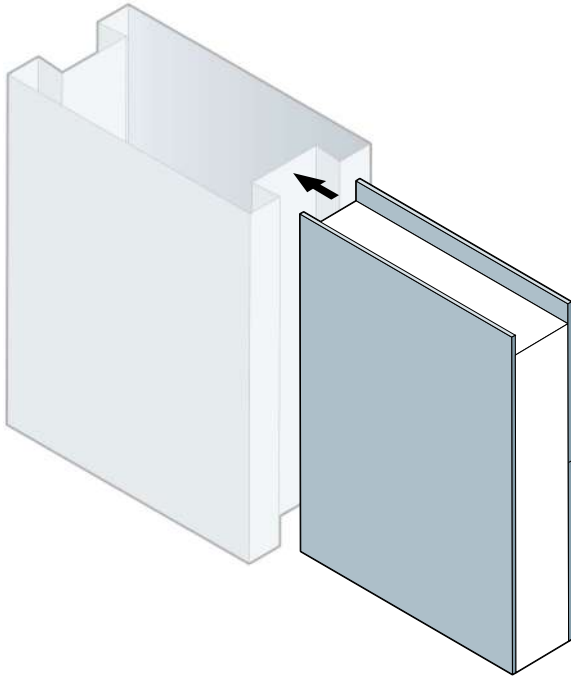


NOTE: All barriers over 3m high need to be engineered to suit the wind regions and the ground conditions. Please contact us on 0800 235 2473 for more details.

Walls over 3000mm high will likely need to use a 100UC14 Column.



ACOUSTIC BARRIER PANELS



Construction:

5mm fibre cement outer skins
60mm expanded polystyrene core

2400mm (length) x 900mm (height) x 70mm (width)

2400mm (length) x 1200mm (height) x 70mm (width)



Up to 4m HIGH

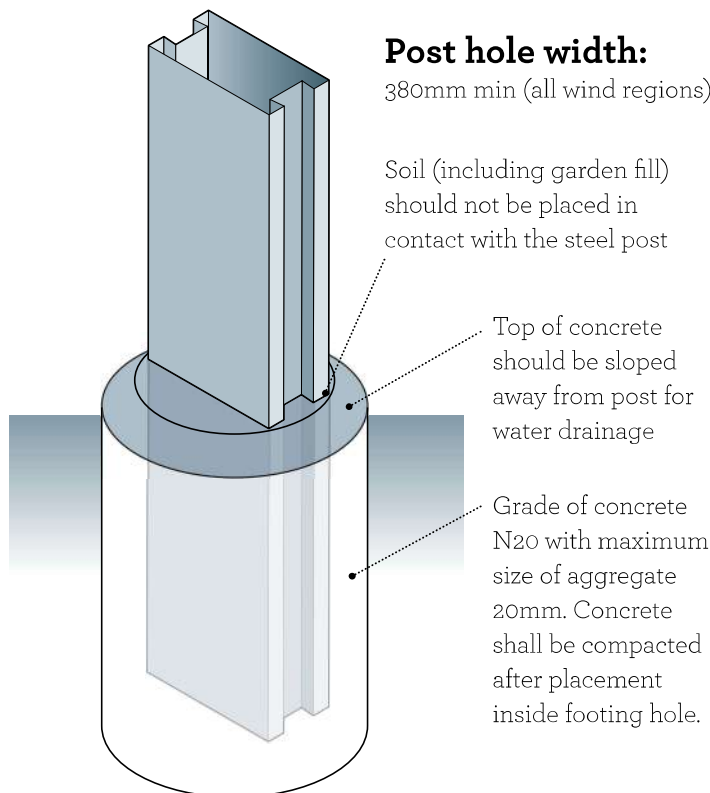
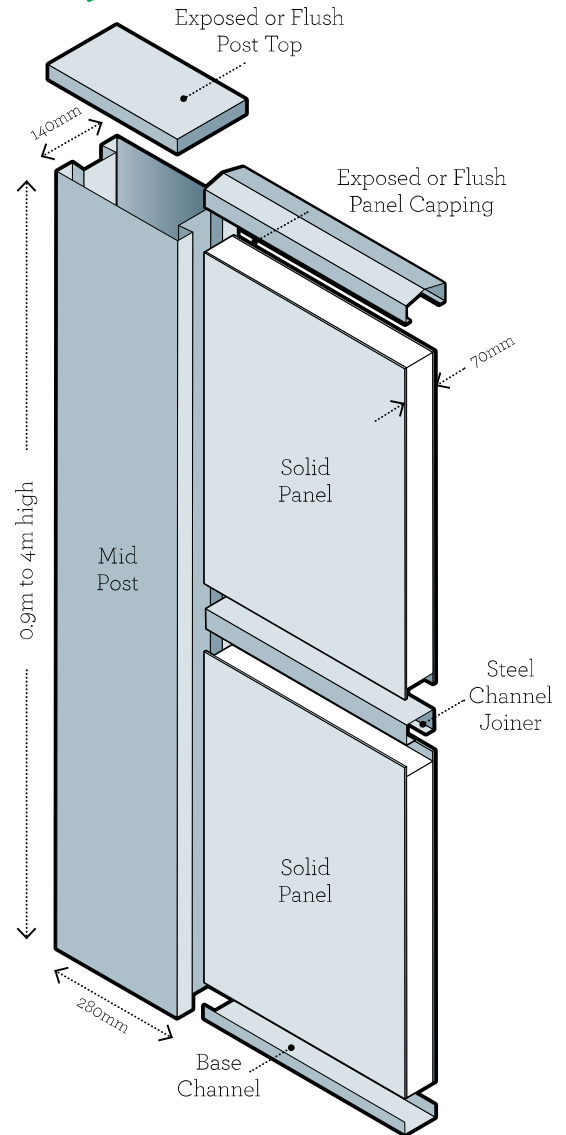
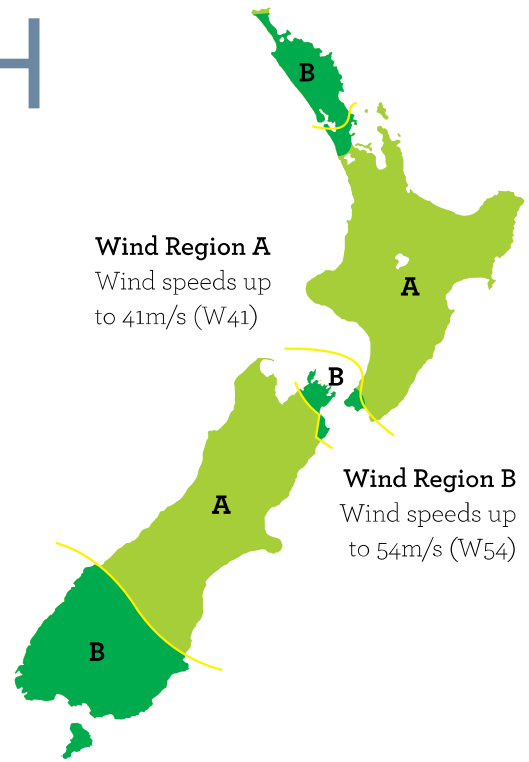
SPECIFICATIONS

Centre to centre guide

Panel length	Post hole centres
2400mm	> 2630mm
2700mm	> 2930mm

Post hole depth guide Wind Regions A&B

Hole depth into firm earth or clay	Barrier height	Hole depth into sand, soft clay or loose earth
450mm	> 900mm	> 550mm
550mm	> 1200mm	> 650mm
600mm	> 1500mm	> 700mm
650mm	> 1800mm	> 800mm
700mm	> 2100mm	> 900mm
800mm	> 2400mm	> 1000mm
900mm	> 2700mm	> 1100mm
1000mm	> 3000mm	> 1200mm



4m to 6m HIGH

SPECIFICATIONS

Centre to centre guide

Panel length	Post hole centres
2400mm	> 2470mm

Post hole depth guide

Post hole depths and hole sizes will be determined by either the engineer or once on-site soil tests have been done.

